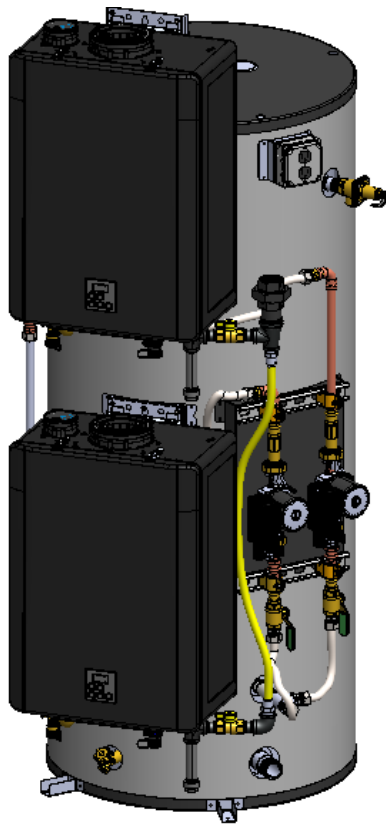
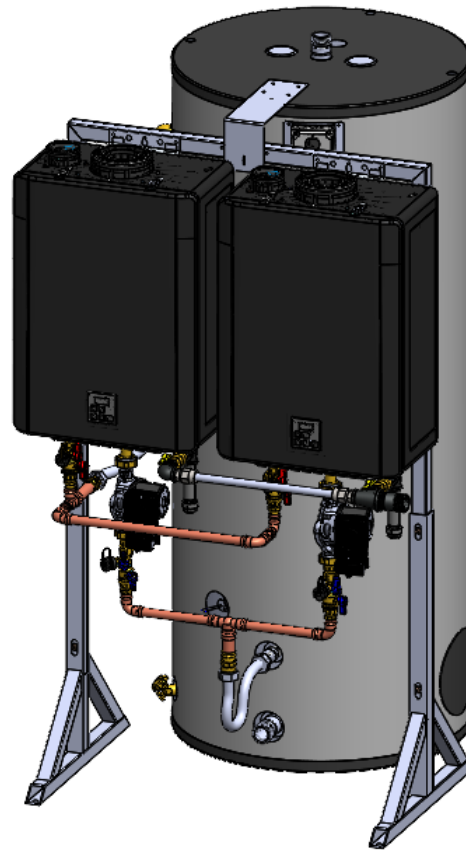


Demand Duo™ 2 H-Series Commercial Hybrid Water Heating System Installation Instructions

Compatible Rinnai Products	For Indoor Commercial Applications Only. This product is NOT intended for residential applications.
Models	CHS398100HCXiN: 119 Gallon, 398,000 BTU CHS398100HCXAiN: 119 Gallon, 398,000 BTU CHS320100HCXViN: 119 Gallon, 320,000 BTU CHS398100HCXViN: 119 Gallon, 398,000 BTU CHS398100HCXVAiN: 119 Gallon, 398,000 BTU



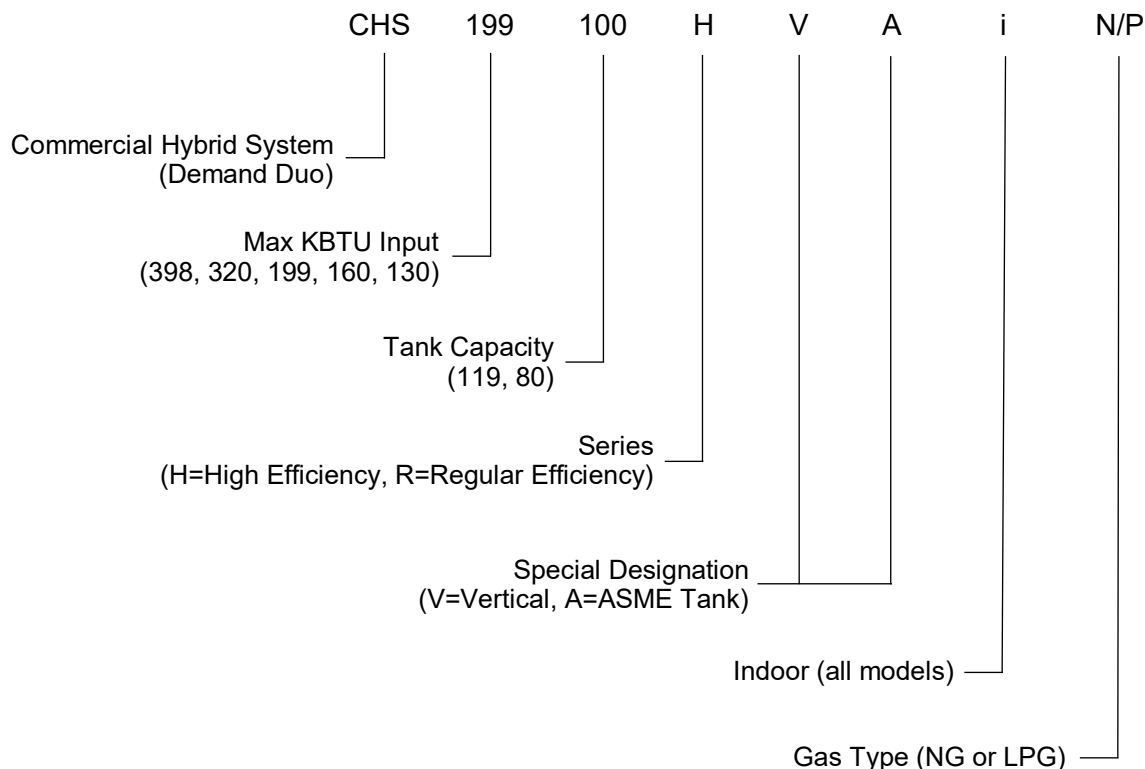
Demand Duo™ 2
Vertical Double Units



Demand Duo™ 2
Horizontal Double Units

Part Number Legend

Example: CHS398100HCXVAiN



WARNING

If the information in these instructions is not followed exactly, a fire or explosion may result causing property damage, personal injury, or death.

- Do not store or use gasoline or other flammable vapors and liquids in the vicinity of this or any other appliance.
- WHAT TO DO IF YOU SMELL GAS
 - Do not try to light any appliance.
 - Do not touch any electrical switch; do not use any phone in your building.
 - Immediately call your gas supplier from a neighbor's phone. Follow the gas supplier's instructions.
 - If you cannot reach your gas supplier, call the fire department.
- Installation and service must be performed by a trained and qualified professional, service agency or the gas supplier.

Copyright 2024 Rinnai America Corporation. Rinnai® is a registered trademark of Rinnai Corporation used under license by Rinnai America Corporation. Rinnai America Corporation continually updates materials, and as such, content is subject to change without notice.

Contents

1. Welcome	4
1.1 To The Installer	4
1.2 To The Owner	4
2. Safety	5
2.1 Safety Symbols	5
2.2 Safety Precautions	5
3. About	7
3.1 Components	7
3.2 Specifications	8
3.3 Dimensions	11
4. Installation Preparation	13
4.1 Guidelines	13
4.2 Typical Installations	14
4.3 Confirm Shipping Contents	15
4.4 What You Will Need	16
4.5 Choose an Installation Location	16
5. Installation Instructions	18
Step 1: Transport	18
Step 2: Secure for Earthquake	18
Step 3: Position Tank and Connect Water	19
Step 4: Install Rack Frame Legs	20
Step 5: Position Rack	21
Step 6: Install Water Flex Lines	22
Step 7: Secure Rack	23
Step 8: Install Vent System	24
Step 9: Install Relief Valve Lines	25
Step 10: Fill System with Water	27
Step 11: Connect Condensate Drain Line	28
Step 12: Connect Gas Supply	29
Step 13: Connect Power Supply	30
6. Post Installation Checklist	32
7. Maintenance	33
8. Appendices	34
8.1 Piping Diagram for Basic Installations	34
8.2 Controller Diagnostics	35
8.3 Replacement Parts	36
9. Warranty	39

READ AND SAVE THESE INSTRUCTIONS

1. Welcome

Thank you for purchasing Rinnai's Demand Duo™ 2 Commercial Hybrid Water Heating System.

This manual provides information on the installation, operation, and maintenance of the system. Read this manual completely before installing or operating the system.

This manual is a supplement to the Installation and Operation Manual for Commercial CX199iN AND CX160iN Condensing Tankless Water Heaters; refer to the CX199iN AND CX160iN manual for complete water heater information.

1.1 To The Installer

- A trained and qualified professional must install the system, inspect it, and leak test it before use. The warranty will be voided due to any improper installation.
- The trained and qualified professional should have skills such as:
 - Gas line sizing
 - Connecting gas lines, water lines, valves, and electricity
 - Knowledge of applicable national, state, and local codes
 - Installing venting through a wall or roof
 - Training in installation of tankless water heaters. Training on Rinnai Tankless Water Heaters is accessible at rinnaiapro.myabsorb.com
- Read all instructions in this manual before installing the system. The system must be installed according to the exact instructions in this manual.
- Proper installation is the responsibility of the installer.
- When installation is complete, leave this manual with the system or give the manual directly to the consumer.

For Your Records

Dealer Name: _____

Dealer Phone #: _____

Purchase Date: _____

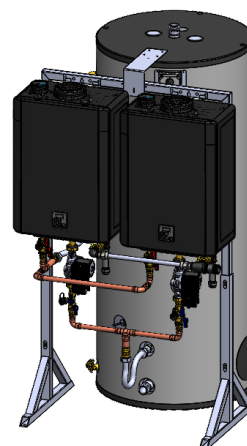
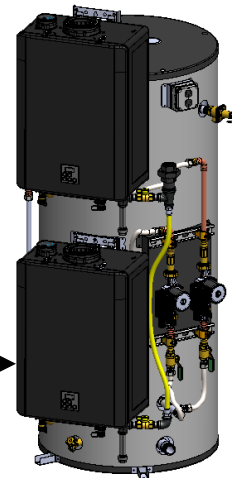
Demand Duo™ 2 Serial #: _____

Rack Serial #: _____

1.2 To The Owner

- You must read the entire manual to properly operate the water heater and to have regular maintenance performed.
- Keep this manual for future reference.
- As when using any appliance generating heat, there are certain safety precautions you should follow. See the **Safety Precautions** section for detailed safety precautions.
- Be sure your water heater is installed by a licensed installer.
- If installing in the state of Massachusetts, you must read the **Massachusetts State Gas Regulations** section in the tankless water heater installation and operation manual (supplied with tankless water heater).

Demand Duo™ 2
Serial # and Tank
Serial # located on
the tank on the left
of the tankless
water heater.



Demand Duo™ 2
Serial # and Rack
Serial # located on
side of rack frame
leg.

2. Safety

Topics in this section

- Safety Symbols
- Safety Precautions

2.1 Safety Symbols

This manual contains the following important safety symbols. Always read and obey all safety messages.



This is the safety alert symbol. This symbol alerts you to potential hazards that can kill or hurt you and others.



DANGER Indicates an imminently hazardous situation which, if not avoided, will result in personal injury or death.



WARNING Indicates a potentially hazardous situation which, if not avoided, could result in personal injury or death.



CAUTION Indicates a potentially hazardous situation which, if not avoided, could result in minor or moderate injury. It may also be used to alert against unsafe practices.

2.2 Safety Precautions



WARNING

- Before operating, smell all around the appliance area for gas. Be sure to smell next to the floor because some gas is heavier than air and will settle on the floor.
- Keep the area around the appliance clear and free from combustible materials, gasoline, and other flammable vapors and liquids.
- Combustible construction refers to adjacent walls and ceiling and should not be confused with combustible or flammable products and materials. Combustible and/or flammable products and materials should never be stored in the vicinity of this or any gas appliance.

- Always check the water temperature before entering a shower or bath.
- To protect yourself from harm, before performing maintenance:
 - Turn off the electrical power supply by unplugging the power cord or by turning off the electricity at the circuit breaker. (The “On/Off” button on the temperature controller does not control the electrical power.)
 - Turn off the gas at the gas valve, usually located immediately before the water heater.
 - Turn off the incoming water supply. This can be done at the isolation valve immediately before the water heater or by turning off the water supply to the building.
- Use only your hand to push in or turn the gas control knob. Never use tools. If the knob will not push in or turn by hand, do not try to repair it; call a licensed professional. Force or attempted repair may result in a fire or explosion.
- Do not use this appliance if any part has been under water. Immediately call a licensed professional to inspect the appliance and to replace any part of the control system and any gas control which has been under water.
- Do not use substitute materials. Use only parts certified for the appliance.
- Should overheating occur or the gas supply fail to shut off, turn off the manual gas control valve to the appliance.
- Do not use an extension cord or an adapter plug with this appliance.
- Any alteration to the appliance or its controls can be dangerous and will void the warranty.
- If a water heater is installed in a closed water supply system, such as one having a backflow preventer in the cold water supply line, means shall be provided to control thermal expansion. Contact the water supplier or local plumbing inspector on how to control thermal expansion.
- Keep the air intake location free of chemicals such as chlorine or bleach that produce fumes. These fumes can damage components and reduce the life of your appliance.
- Make sure the water heater and its water lines are protected from freezing. Damage due to freezing is not covered by the warranty.

⚠ WARNING DO NOT adjust the internal gas valve. The design is such that adjustment is not required. Warranty will be voided if the internal gas valve is adjusted.

- Only trained and qualified professionals are permitted to adjust parameter settings.
- Proper venting is required for the safe operation of this appliance.
- Flammable liquids such as cleaning solvents, aerosols, paint thinners, adhesives, gasoline and propane must be handled and stored with extreme care. These flammable liquids emit flammable vapors and when exposed to an ignition source can result in a fire hazard or explosion. Flammable liquids should not be used or stored in the vicinity of this or any other gas appliance.
- DO NOT operate the water heater without the front panel installed. The front panel should only be removed for service/maintenance or replacing internal components.
- BURN HAZARD. Hot exhaust and vent may cause serious burns. Keep away from the water heater. Keep small children and animals away from the water heater.
- Hot water outlet pipes leaving the water heater can be hot to touch.
- Do not store or use gasoline or other flammable vapors and liquids in the vicinity of this or any other appliance.
- Install the vent system per local and national codes.
- Do not install this water heater above 10,200 ft (3,109 m).
- Do not obstruct combustion air to the water heater.
- Failure to properly vent this appliance can result in death, personal injury and/or property damage.
- Rinnai recommends that every home have a carbon monoxide (CO) alarm in the hallway near bedrooms in each sleeping area. Check batteries monthly and replace them annually.


⚠ WARNING

FLAMMABLE



FOR YOUR SAFETY
Do not store or use gasoline or other flammable vapors and liquids in the vicinity of this or any other appliance.

⚠ DANGER Hot water can be dangerous, especially for infants or children, the elderly, or infirm.



There is hot water scald potential if the thermostat is set too high.

Water temperatures over 125°F (51°C) can cause severe burns or scalding resulting in death.

Hot water can cause first degree burns with exposure for as little as:

- 3 seconds at 140°F (60°C)
- 20 seconds at 130°F (54°C)
- 8 minutes at 120°F (48°C)

Test the temperature of the water before placing a child in the bath or shower.

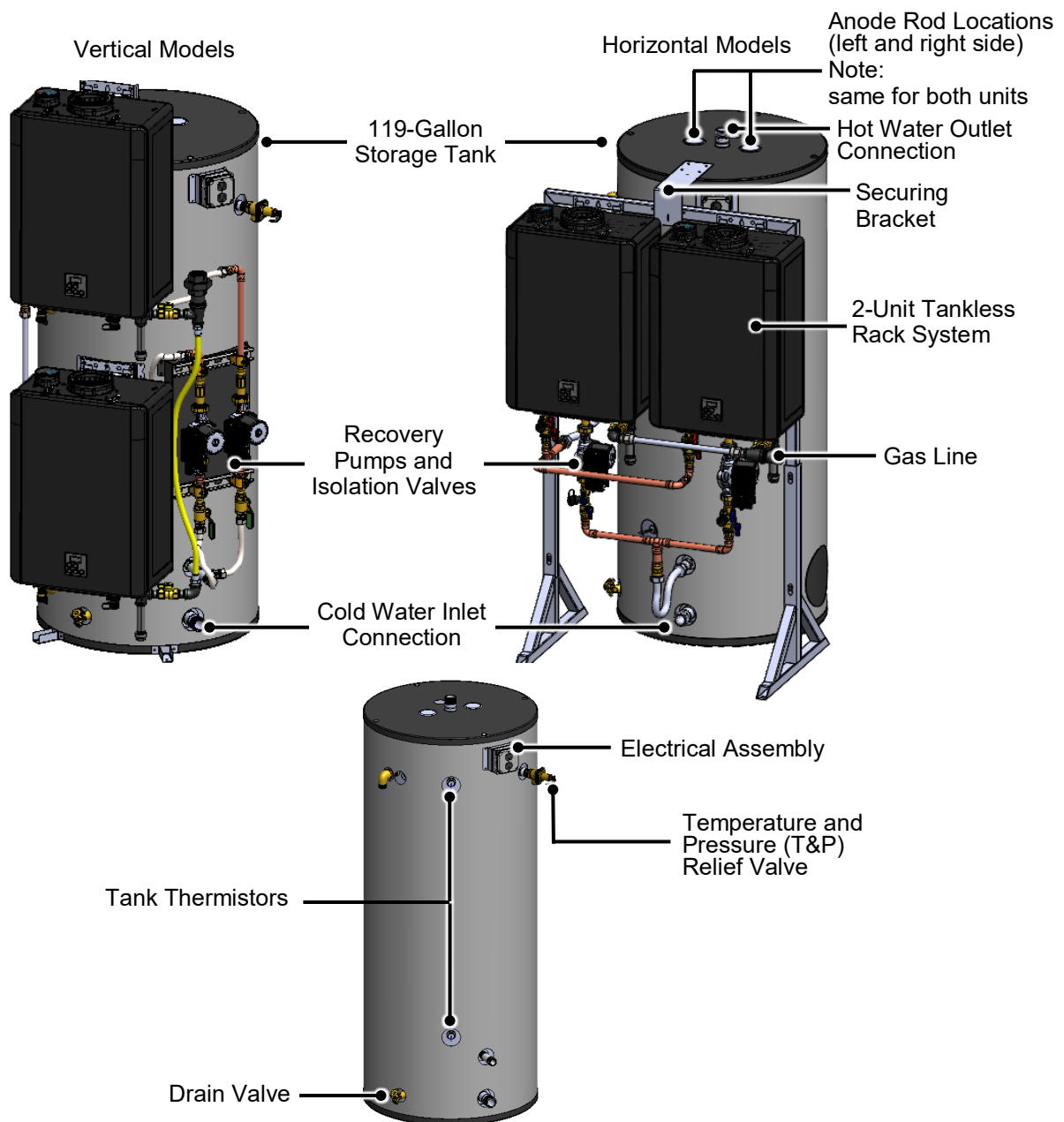
Do not leave a child or an infirm person in the bath unsupervised.

3. About

Topics in this section

- Components
- Specifications
- Dimensions

3.1 Components



3.2 Specifications

3.2.1 Specifications for Horizontal Units

Model Number	CHS398100HCX	CHS398100HCXA***
Dimensions (Assembled) in. (mm)	w x h x d: 38.81 x 71.10 x 45.32 (985.8 x 1,806.8 x 1,151)	
Weight	Rack (with 2 Tankless Water Heaters): 220 lbs (100 kg); Tank: 310 lbs (141 kg) Complete System: 530 lbs (240 kg)	
Installation Type	Internal (Indoor) Commercial Applications	
Category and Ignition System	Category IV, Direct Electronic Ignition	
Gas Consumption Btu/h (kW/h)	Minimum: 30,000 (9) Maximum: 398,000 (116.6)	
Water Supply Pressure	150 PSI (Maximum)	
Temperature Setting	98°F (37°C) to 185°F (85°C)	
Tank Volume	119 Gallons (450 Liters)	
First Hour Delivery Rating*	543 Gallons (2,055 Liters)	
Sound Level (Single unit)	49 dB	
Electrical Data (CX199iN Tankless Water Heater)	Normal: 279 W, Standby: 44 W, Freeze Protection: 148 W, Max Current: 5.5 A	
	Fuse: Tankless Water Heater Engine: 10 Amps	
Gas Supply Pressure**	Natural: 3.5 - 10.5 in. w.c. Propane: 8.0 - 13.5 in. w.c.	
By-Pass Flow Control	Electronic	
Connections	Gas Supply Inlet: 1-1/2 in. MNPT Hot Water Outlet: 1-1/2 in. MNPT Cold Water Inlet: 1-1/2 in. MNPT	
Electric Connections	Appliance: AC 120 Volts, 60Hz. Integrated Temperature Controller: DC 12 Volts (Digital)	
Water Flow Control	Water Flow Sensor, Electronic Water Control and Bypass Control	
Water Temperature Control	Simulation Feed Forward and Feedback	
Recovery	459 GPH @ 100° ΔT	
High Altitude Approved	Up to 10,200 Ft (3,109 M)	
Complies with South Coast Air Quality Management District 14 ng/J or 20 ppm NOx Emission Levels (CX199i)	Yes	
Ultra Low NOx	Yes	
Certifications	AHRI, ANSI Z21.10.3, CSA 4.3 and ENERGY STAR® Certified (CX199iN)***	
Controller (One per Tankless Water Heater)	MCC-601	
Recovery Pump	Qty 2 Grundfos UPML 25-104	
Venting Material	Polypropylene, PVC, CPVC	
Venting Options	Concentric Polypropylene, Twin Pipe, or Common Vent Polypropylene/PVC/CPVC. Vent lengths up to 150 ft.	
Wi-Fi Ready	Yes	

*First Hour Delivery Rating is a theoretical calculation based on 70% usable tank capacity.

Tank Capacity x .70 + (recovery) = First Hour Delivery Rating

** Maximum gas supply pressure must not exceed the value specified by the manufacturer.

***ENERGY STAR® certification for the CX199iN tankless engine is listed on the residential ENERGY STAR® website.

3.2.2 Specifications for Vertical Units

Model Number	CHS398100HCXV	CHS398100HCXVA***	CHS320100HCXViN
Dimensions (Assembled) in. (mm)	w x h x d: 33.7 x 81.09 x 40.1 (856 x 2,060 x 1,021.1)		
Weight	Tank: 310 lbs (141 kg) Complete System: 530 lbs (240 kg)		
Installation Type	Internal (Indoor) Commercial Applications		
Category and Ignition System	Category IV, Direct Electronic Ignition		
Gas Consumption Btu/h (kW/h)	Minimum: 30,000 (9) Maximum: 398,000 (116.6)		Minimum: 30,000 (9) Maximum: 320,000 (93.7)
Water Supply Pressure	150 PSI (Maximum)		
Temperature Setting	98°F (37°C) to 185°F (85°C)		
Tank Volume	119 Gallons (450 Liters)		
First Hour Delivery Rating*	551 Gallons (2,085 Liters)		460 Gallons (1,741 Liters)
Sound Level (Single unit)	49 dB		48 dB
Electrical Data (Tankless Water Heater)	Normal: 265 W, Standby: 44 W, Freeze Protection: 148 W, Max Current: 5.5 A		Normal: 233 W, Standby: 44 W, Freeze Protection: 148 W, Max Current: 5.5 A
	Fuse: Tankless Water Heater Engine: 10 Amps, Controller: 10 Amps		
Gas Supply Pressure**	Natural: 3.5 - 10.5 in. w.c. Propane: 8.0 - 13.5 in. w.c.		
By-Pass Flow Control	Electronic		
Connections	Gas Supply Inlet: 1-1/2 in. MNPT Hot Water Outlet: 1-1/2 in. MNPT Cold Water Inlet: 1-1/2 in. MNPT		
Electric Connections	Appliance: AC 120 Volts, 60Hz. Integrated Temperature Controller: DC 12 Volts (Digital)		
Water Flow Control	Water Flow Sensor, Electronic Water Control and Bypass Control		
Water Temperature Control	Simulation Feed Forward and Feedback		
Recovery	459 GPH @ 100° ΔT		376 GPH @100° ΔT
High Altitude Approved	Up to 10,200 Ft (3,109 M)		
Ultra Low NOx	Yes		
Certifications	AHRI, ANSI Z21.10.3, CSA 4.3 and ENERGY STAR® Certified (CX199iN)****		AHRI, ANSI Z21.10.3, CSA 4.3 and ENERGY STAR® Certified (CX160iN)****
Controller	MCC-601		
Recovery Pump	Grundfos UPS 26-150 (S)F; 3 Speed		
Venting Material	Polypropylene, PVC, CPVC		
Venting Options	Concentric Polypropylene, Twin Pipe, or Common Vent Polypropylene/PVC/CPVC. Vent lengths up to 150 ft.		
Wi-Fi Ready	Yes		

*First Hour Delivery Rating is a theoretical calculation based on 70% usable tank capacity.

Tank Capacity x .70 + (recovery) = First Hour Delivery Rating

**Maximum gas supply pressure must not exceed the value specified by the manufacturer.

***Model includes an AMSE rated tank.

****ENERGY STAR® certification for the CX199iN and CX160iN tankless engines is listed on the residential ENERGY STAR® website.

3.2.3 Recovery Capabilities

Recovery Capabilities for CHS398100 models

U.S. Gallons / Hour Liters / Hour at Temperature Rise Indicated													
Tank Capacity	°F	30	40	50	60	70	80	90	100	110	120	130	140
	°C	17	22	28	33	39	45	50	56	61	67	72	78
119 Gal.	GPH	1,528	1,147	917	764	655	573	510	459	417	382	353	328
450 Liters	LPH	5,784	4,342	3,471	2,892	2,479	2,169	1,931	1,738	1,579	1,446	1,336	1,242

Recovery Capabilities for CHS320100HV

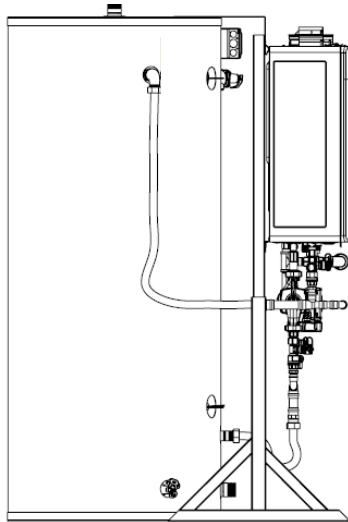
U.S. Gallons / Hour Liters / Hour at Temperature Rise Indicated													
Tank Capacity	°F	30	40	50	60	70	80	90	100	110	120	130	140
	°C	17	22	28	33	39	45	50	56	61	67	72	78
119 Gal.	GPH	1,254	941	752	627	537	470	418	376	342	314	289	269
450 Liters	LPH	4,747	3,561	2,848	2,374	2,035	1,780	1,582	1,424	1,295	1,187	1,096	1,017

3.3 Dimensions

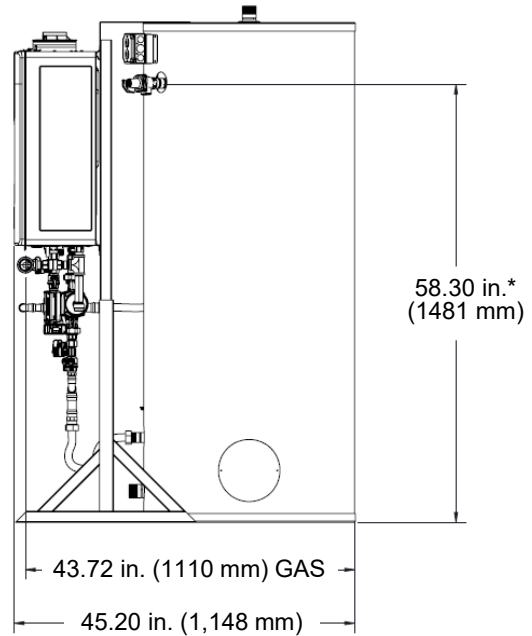
3.3.1 Dimensions for Horizontal Units

Models	Measurements below are shown in inches (millimeters).
CHS398100HCX	
CHS398100HCXA	

LEFT

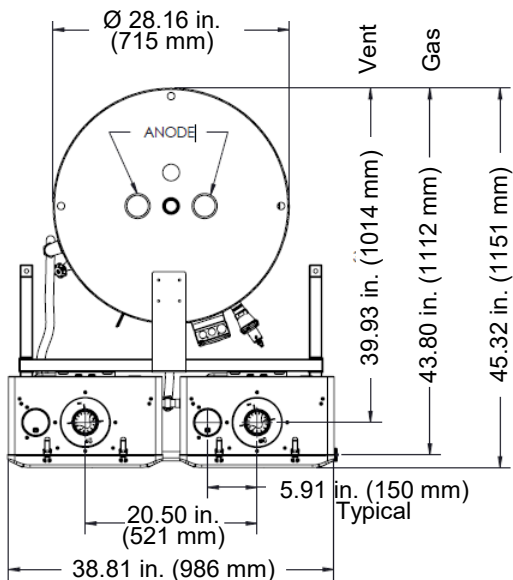


RIGHT



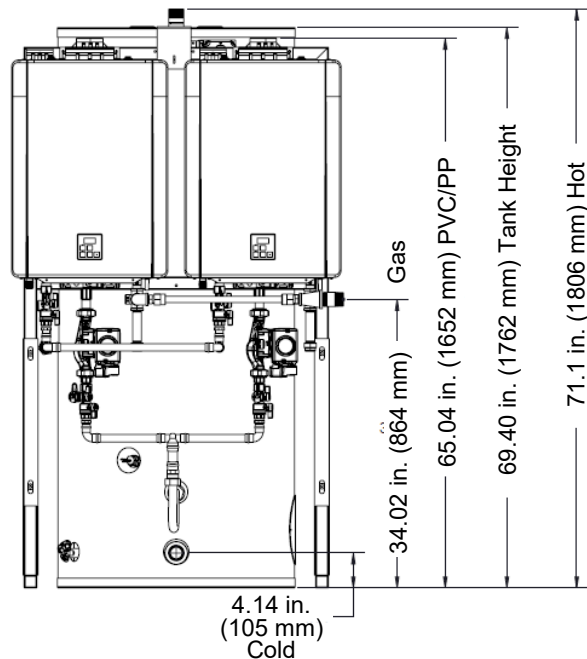
*Temperature and Pressure Relief Valve

TOP



* Temperature and Pressure Relief Valve

FRONT

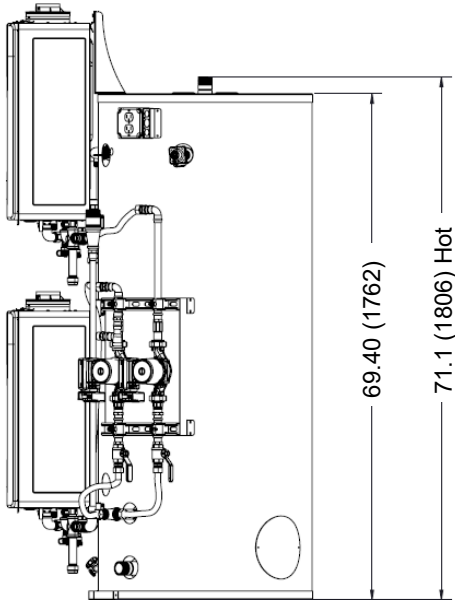


3.3.2 Dimensions for Vertical Units

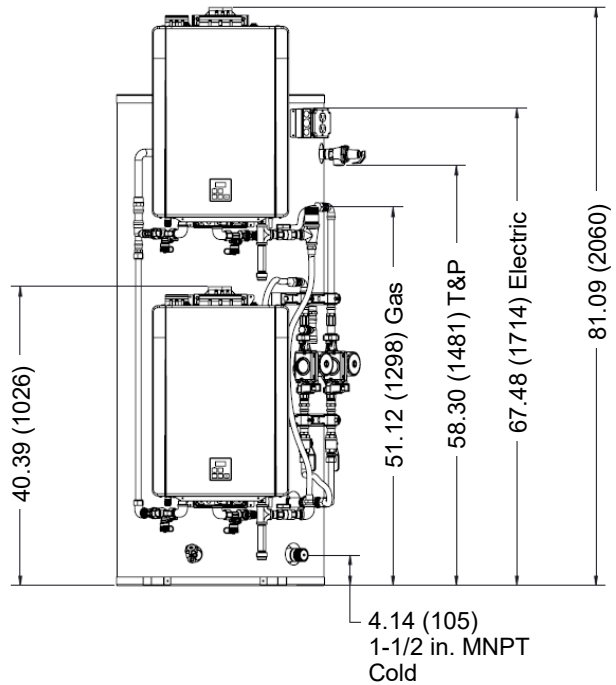
Models
CHS398100HCXV
CHS398100HCXVA
CHS320100HCXV

Measurements below are shown in inches (millimeters).

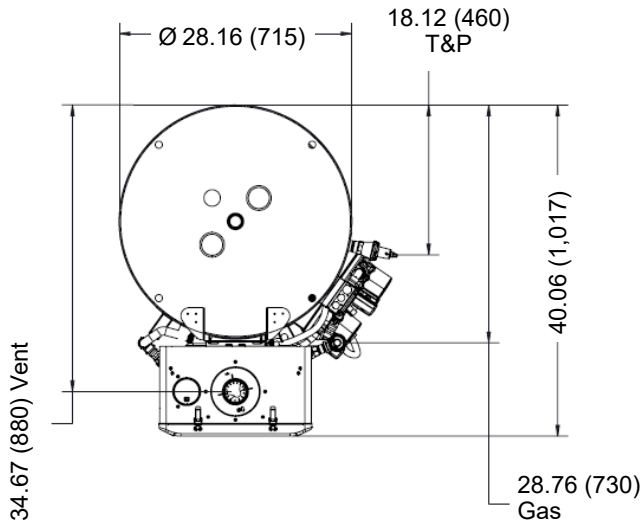
RIGHT



FRONT



TOP



4. Installation Preparation

Topics in this section

- Guidelines
- Typical Installations
- Confirm Shipping Contents
- What You Will Need
- Choose an Installation Location

THIS SECTION IS INTENDED FOR THE INSTALLER

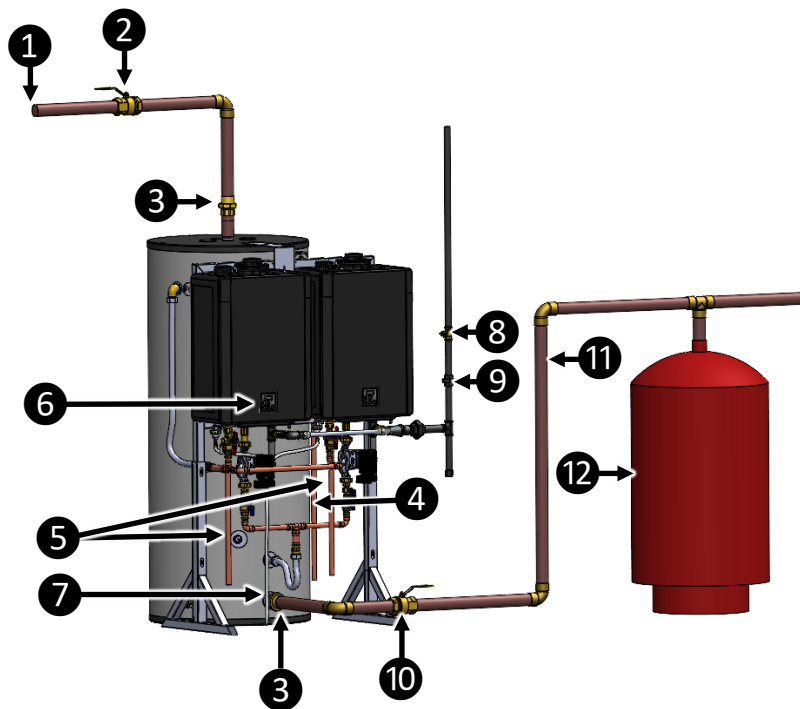
Installer qualifications: A trained and qualified professional must install the appliance, inspect it, and leak test the Demand Duo™ 2 before use. The warranty will be voided due to any improper installation. The trained and qualified professional should have skills such as: Gas sizing; Connecting gas lines, water lines, valves, and electricity; Knowledge of applicable national, state, and local codes; Installing venting through a wall or roof; and training in installation of tankless water heaters. Training for Rinnai Tankless Water Heaters is accessible online at rinnai.pro.myabsorb.com.

4.1 Guidelines

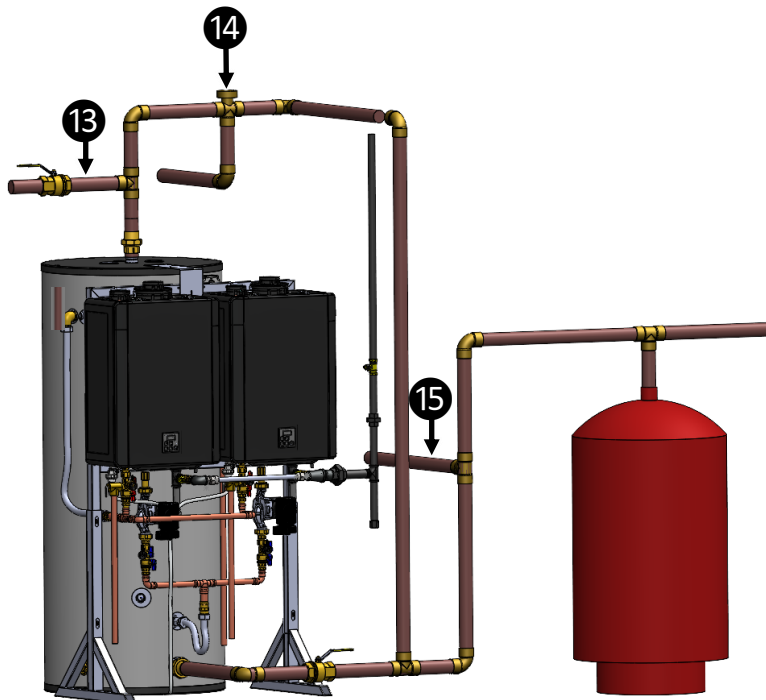
When installing the Demand Duo™ 2, follow these guidelines:

- This water heater is suitable for combination water heating and space heating and not suitable for space heating applications only.
- The installation must conform with local codes or, in the absence of local codes, with the *National Fuel Gas Code, ANSI Z223.1/ NFPA 54*, or the *Natural Gas and Propane Installation Code, CSA B149.1*.
- The appliance, when installed, must be electrically grounded in accordance with local codes or, in the absence of local codes, with the *National Electrical Code, ANSI/NFPA 70*, or the *Canadian Electrical Code, CSA C22.1*.
- You must follow the installation instructions and those in the venting section for adequate combustion air and exhaust.
- The appliance and its main gas valve must be disconnected from the gas supply piping system during any pressure testing of that system at test pressures in excess of 1/2 psi (3.5 kPa) (13.84 in W.C.). For system testing at pressures less than or equal to 1/2 psi (3.5 kPa) (13.84 in W.C.) the appliance must be isolated from the gas supply piping by closing its individual manual shutoff valve.
- If a water heater is installed in a closed water supply system, such as one having a backflow preventer in the cold water supply line, means shall be provided to control thermal expansion. Contact the water supplier or local plumbing inspector on how to control thermal expansion.
- Should overheating occur or the gas supply fail to shut off, turn off the manual gas control valve to the appliance.
- Combustion air must be free of chemicals, such as chlorine or bleach, that produce fumes. These fumes can damage components and reduce the life of your appliance.
- DO NOT install the Demand Duo™ 2 outdoors.
- DO NOT install the Demand Duo™ 2 in an area where water leakage of the unit or connections will result in damage to the area adjacent to the system or to lower floors of the structure. When such locations cannot be avoided, it is recommended that a suitable drain pan, adequately drained, be installed under the water heaters. The pan must not restrict combustion air flow.
- DO NOT install the Demand Duo™ 2 in an area with negative air pressure, where the pressure inside is lower than the pressure outside.
- DO NOT obstruct the flow of combustion and ventilation air.
- DO NOT use the Demand Duo™ 2 in an application such as a pool or spa heater that uses chemically treated water. The Demand Duo™ 2 is suitable for filling large or whirlpool spa tubs with potable water.
- DO NOT use substitute parts that are not authorized for this system.
- DO NOT connect power to the Demand Duo™ 2 prior to completing installation and the system has been filled with water.

4.2 Typical Installations



Installation with Mixing Valve



#	Item	Field Supplied
1	Hot Water Outlet	✓
2	Hot Water Outlet Shut-Off Valve	✓
3	Cold and Hot Unions	✓
4	Temperature-Pressure Relief Valve Discharge Pipe (do not cap, plug or reduce)	✓
5	Pressure Relief Valve Discharge Pipes (do not cap, plug, or reduce)	✓
6	Controller	✓
7	Condensate Discharge Pipe (must include an air gap)	
8	Gas Control Valve	✓
9	Gas Union	✓
10	Cold Water Supply Shut-Off Valve	✓
11	Cold Water Supply	✓
12	Thermal Expansion Tank	✓
13	Non-Tempered Supply Line	✓
14	Thermostatic Mixing Valve	✓
15	Non-Tempered Return Line	✓

IMPORTANT

Cold water line and expansion tank locations are altered for illustrative purposes.

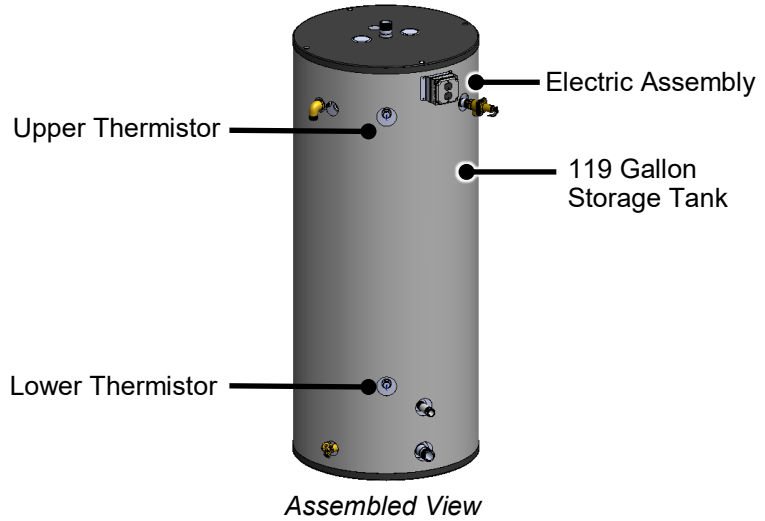
4.3 Confirm Shipping Contents

The Demand Duo™ 2 Commercial Hybrid Water Heating System is packaged and shipped in two separate shipping boxes for horizontal units. Carefully unpack the shipping boxes and verify the following contents are included.

If any items are damaged or missing, contact your local dealer/distributor or call Rinnai Customer Care at 1-800-621-9419. Do not attempt to use any item that appears damaged.

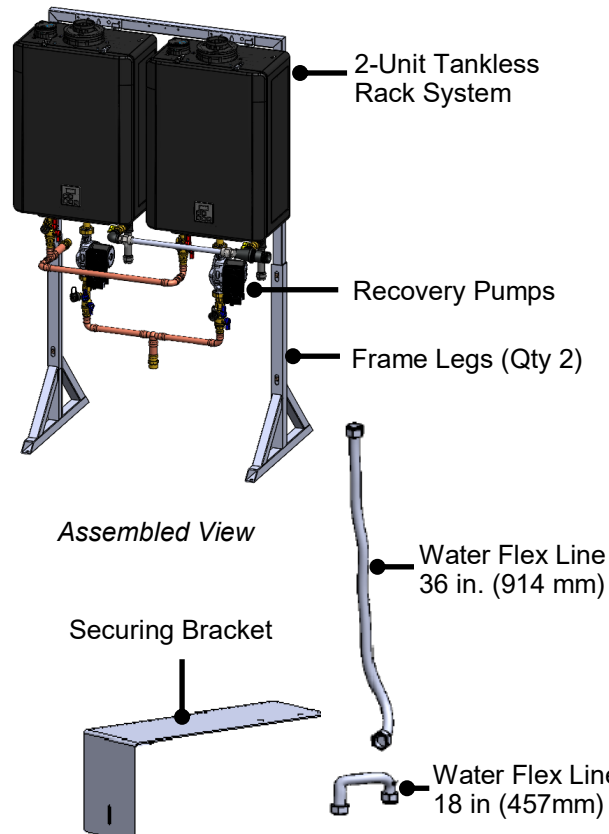
Shipping Box 1

- 119-Gallon Storage Tank
- Electric Assembly
- Upper and Lower Tank Thermistors



Shipping Box 2

- Rack System with two (2) pre-installed Rinnai Tankless Water Heaters
- Frame Legs (Qty 2)
- Recovery Pumps (Qty 2)
- Water Flex Lines (Qty 2)
 - 18 in. (457 mm)
 - 36 in. (914 mm)
- 5/16 in.-18 Bolts (Qty 4) (*not shown in image*)
- Securing Bracket
- Documentation:
 - Demand Duo™ 2 Commercial Hybrid Water Heating System Installation and Operation Manual (this manual)
 - Tankless Water Heater Installation and Operation Manual



WARNING To avoid danger of suffocation, keep plastic bags away from babies, small children and pets. Do not use these bags in cribs, beds, carriages, or playpens. The bags are not a toy.

4.4 What You Will Need

Gather the recommended tools and materials before starting installation.

4.4.1 Items Needed (Field-Supplied)

- Pipe wrenches (x2)
- Phillips Head screwdriver
- Adjustable pliers
- Wire cutters
- Hoisting straps (able to support approximately 220 lb/100 kg)
- Gloves
- Safety glasses
- Level
- Soap or gas leak detector solution
- Approved venting
- Teflon tape (recommended) or pipe compound
- Pipe insulation

4.4.2 Items You May Need

- Hammer drill with concrete bits
- Saw
- Threading machine with heads and oiler
- Core drill with diamond head
- Torch set
- Copper tubing cutter
- Steel pipe cutter
- Heat tape
- Electrical wire
- Concrete wall anchors
- Optional pipe cover
- PVC glue/cement and primer
- 2 conductor 22 AWG wire for controller
- Single gang electrical box
- Wire nuts
- Unions and drain valves
- Drain pan
- Earthquake strap

4.5 Choose an Installation Location

When selecting an installation location, you must ensure that clearances will be met and that the vent length will be within required limits. Consider the installation environment, water quality, and need for freeze protection. Requirements for the gas line, water lines, electrical connection, and condensate disposal can be found in their respective sections in this manual.

For vent termination clearances, refer to the Tankless Water Heater Installation and Operation Manual supplied with the Demand Duo™ 2 system.

4.5.1 Water Quality Guidelines

This section provides information on the importance of water quality to the Rinnai Tankless Water Heater. The information is intended to serve as general guidelines only and is not a complete list of water quality guidelines.

Consideration of care for your water heater should include evaluation of water quality. The water must be potable, free of corrosive chemicals, sand, dirt, or other contaminants. It is up to the installer to ensure the water does not contain corrosive chemicals or elements that can affect or damage the Rinnai Tankless Water Heater. Water that contains chemicals exceeding the levels below can damage the Rinnai Tankless Water Heater. Replacement of components due to water quality damage is not covered by the warranty.

Contaminant	Maximum Level
Total Hardness	Up to 200 mg/L
Aluminum *	Up to 0.2 mg/L
Chlorides *	Up to 250 mg/L
Copper *	Up to 1.0 mg/L
Dissolved Carbon Dioxide (CO ₂)	Up to 15.0 mg/L
Iron *	Up to 0.3 mg/L
Manganese *	Up to 0.05 mg/L
pH *	6.5 to 8.5
TDS (Total Dissolved Solids) *	Up to 500 mg/L
Zinc *	Up to 5 mg/L

* Source: Part 143 National Secondary Drinking Water Regulations

If you install the Demand Duo™ 2 in an area that is known to have hard water or that causes scale build-up, the water must be treated and may require a more frequent flushing schedule.

This water heater includes a service indicator (Service Soon, 55). When selected in the parameter settings, an 55 code will display on the controller indicating that it is time to flush and service the water heater. Scale build-up is caused by hard water and can be accelerated if the water heater is set at a temperature above 120°F.

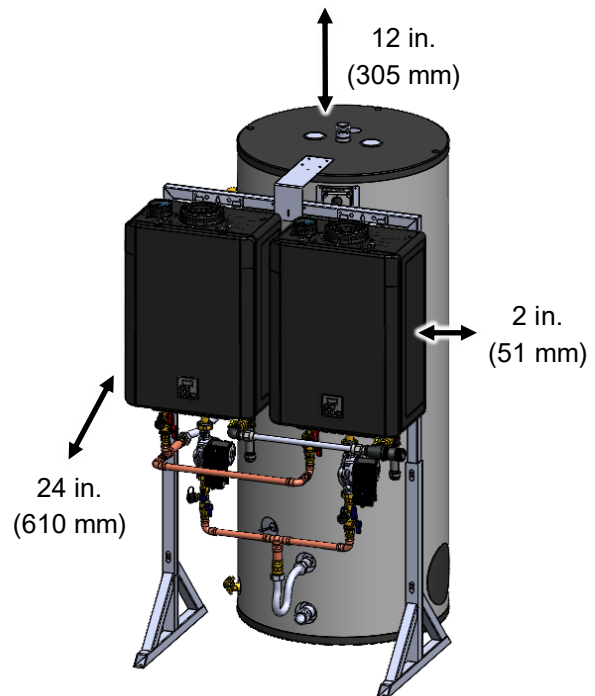
Rinnai offers Southeastern Filtration’s “ScaleCutter Water Conditioning System” that offers superior lime scale prevention and corrosion control by feeding a blend of control compounds into the cold water supply.

4.5.2 Environment

Air surrounding the water heater, venting, and vent termination(s) is used for combustion and must be free of any compounds that cause corrosion of internal components. These include corrosive compounds that are found in aerosol sprays, detergents, bleaches, cleaning solvents, oil based paints/varnishes, and refrigerants. The air in beauty shops, dry cleaning stores, photo processing labs, and storage areas for pool supplies often contains these compounds. Therefore, it is recommended to install as a direct vent (use outside air for combustion). In applications utilizing room air where there are high levels of particulates, Rinnai offers a room air screen. The water heater, venting, and vent termination(s) should not be installed in any areas where the air may contain these corrosive compounds.

4.5.3 Clearances

Location	Clearance
Top of tank	<ul style="list-style-type: none"> • 12 in. (305 mm) • 0 in. from vent components • Clearance for servicing the anode rods is 54 in. (1.4 m) from top of water heater
Bottom	0 in.
Back of tank	0 in.
Front of tankless water heaters	0 in. Clearance for servicing is 24 in. (610 mm)
Sides (Left and Right) of tankless water heaters	2 in. (51 mm)



5. Installation Instructions

Topics in this section

- Step 1: Transport
- Step 2: Secure for Earthquake
- Step 3: Position Tank and Connect Water
- Step 4: Install Rack Frame Legs
- Step 5: Position Rack
- Step 6: Install Water Flex Lines
- Step 7: Secure Rack
- Step 8: Install Vent System
- Step 9: Install Relief Valve Lines
- Step 10: Fill System with Water
- Step 11: Connect Condensate Drain Line
- Step 12: Connect Gas Supply
- Step 13: Connect Power Supply

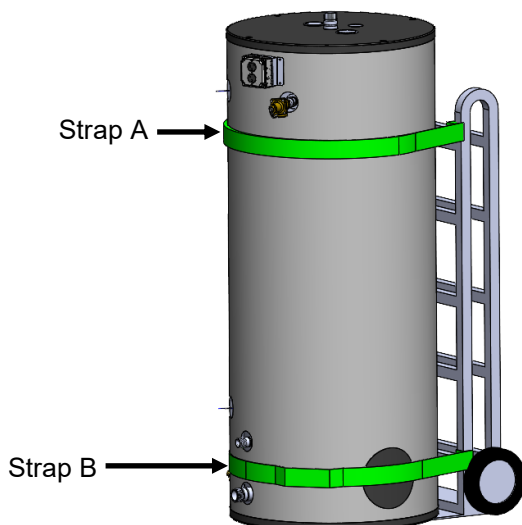
Step 2: Secure for Earthquake

NOTICE

Products installed in the state of California must be braced, anchored, or otherwise secured to avoid motion or falling during an earthquake. Contact the California Office of the State Architect located at 1102 Q Street, Suite 5100, Sacramento, CA 95811 for instructions.

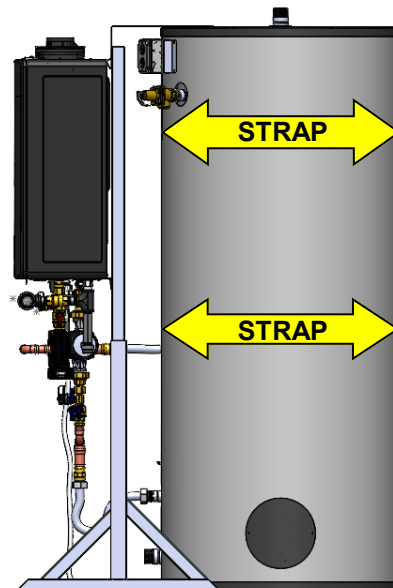
Step 1: Transport

1. Choose the right hand truck to support the weight and size of the water heater. Refer to the **Specifications** section in this manual for specific weights and dimensions.
2. Use proper lifting techniques to load the tank onto the hand truck:
 - Position the tank onto the hand truck so the weight is evenly balanced and the tank is touching the rails of the hand truck.
 - Secure the water heater to the hand truck:
 - Position **STRAP A** around the top of the tank as illustrated below.
 - Position **STRAP B** around the base of the tank below the pump assembly.



IMPORTANT

Position straps around the tank per the requirements of California Office of the State Architect. **DO NOT POSITION THE STRAPS OVER PUMP, PIPE, FITTINGS OR WIRE.**



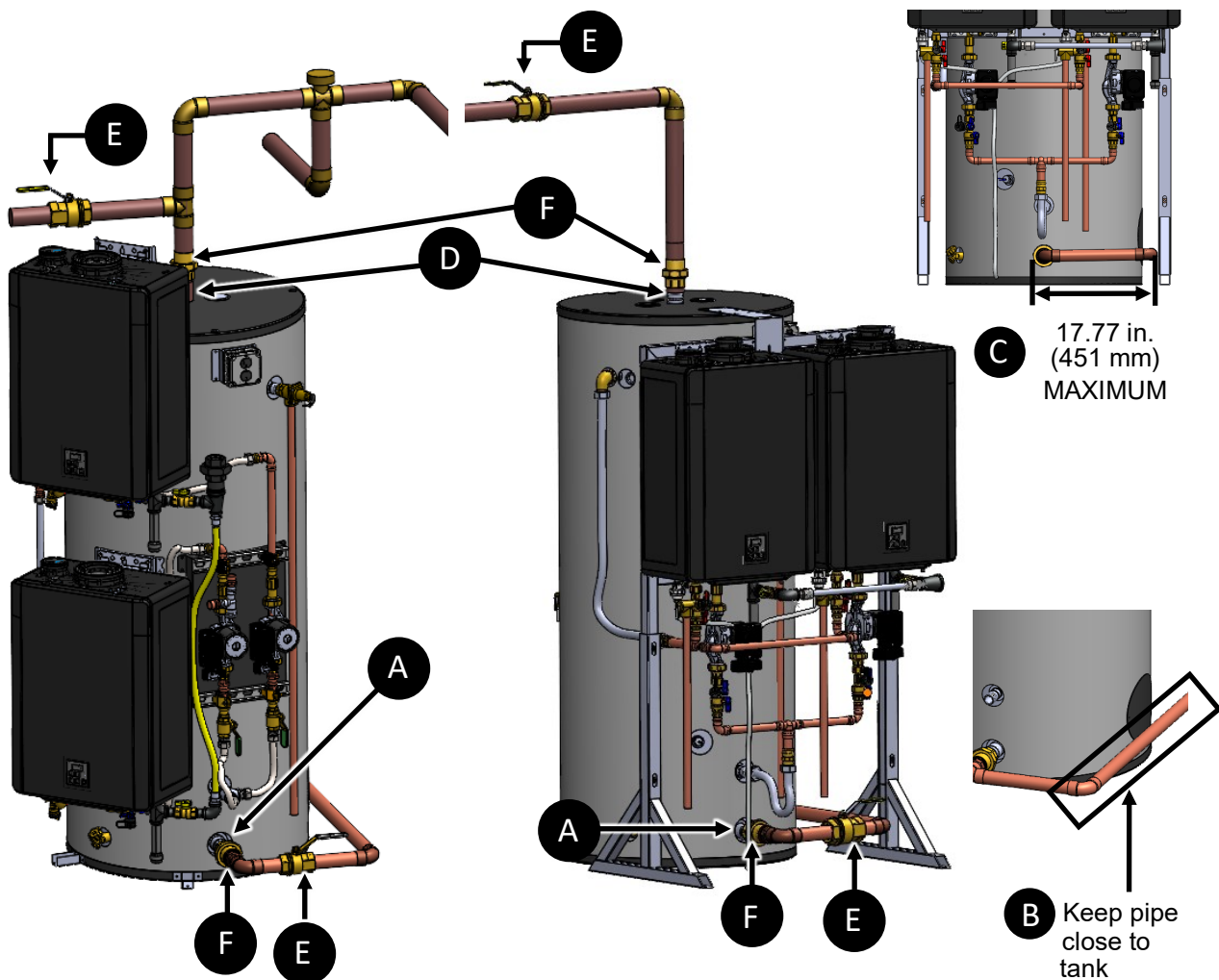
Step 3: Position Tank and Connect Water

When positioning the tank and connecting water, follow these guidelines:

- Water connections to the Demand Duo™ 2 must follow all state and local plumbing codes.
- When assembling the hot and cold water piping, use a high quality food grade pipe joint compound and ensure all fittings are tight.
- DO NOT apply an open flame to the inlet and outlet fittings, as heat will damage or destroy the plastic lined fittings. This will result in premature failure of the fittings, which is not covered by the warranty.
- For standard installations, refer to the **Piping Diagram for Basic Installations** in the **Appendix**.

To position the tank and connect water:

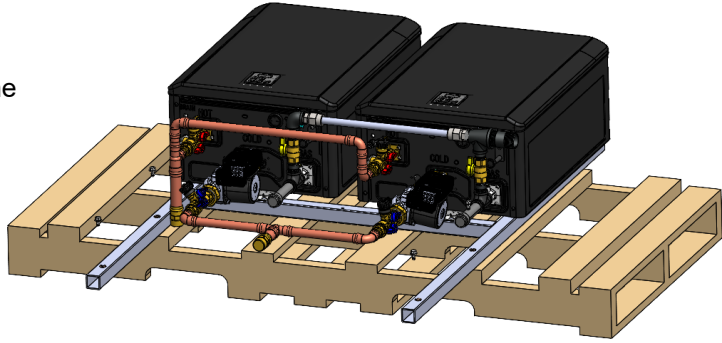
1. Position the tank in the desired location.
2. Connect piping to the cold water inlet connection (1.5 in./38 mm MNPT). See **A** in image below.
 - Keep the pipe as close as possible to one side of the tank; this allows the rack frame to position closer to the tank and allow for easier flex line connection (see **B**).
 - Maximum pipe length from the cold water inlet connection to the rack frame leg is 17.77 in. (451 mm) (see **C**).
3. Connect piping to the hot water outlet connection (1.5 in./38 mm MNPT) (see **D**).
4. Install a shut-off valve on the cold and hot water lines (see **E**).
5. Rinnai recommends to install unions on the cold and hot water lines so that the water heater can easily disconnect if servicing is required (see **F**).



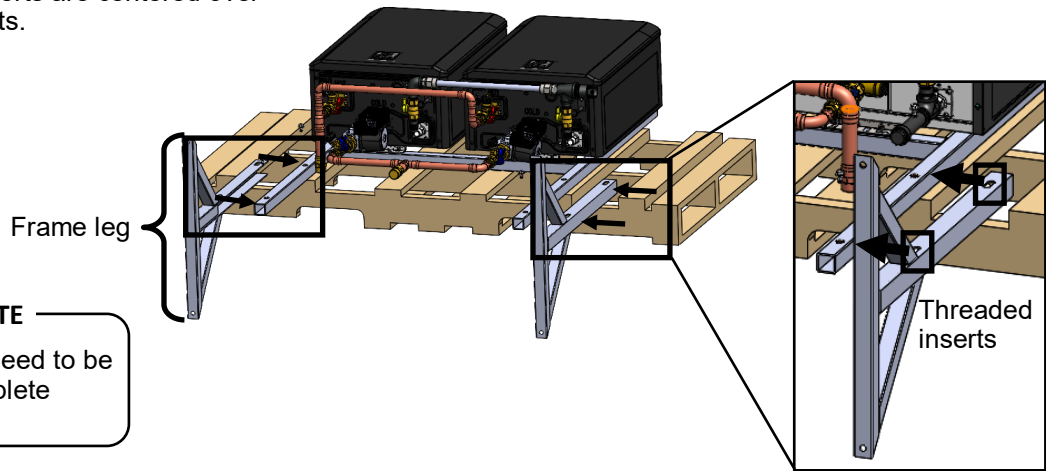
Step 4: Install Rack Frame Legs

To install the rack frame legs:

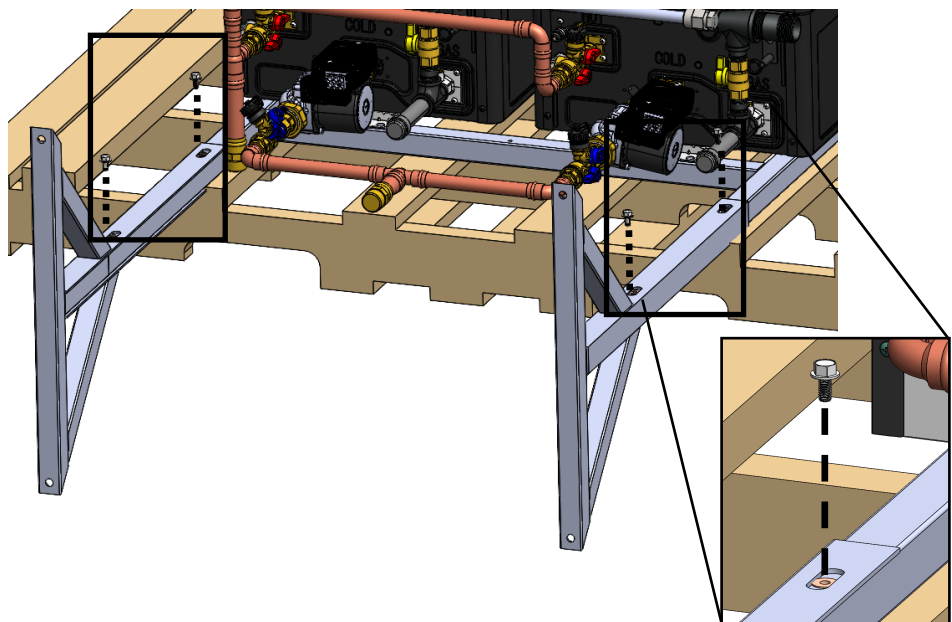
1. Lay the rack assembly down on the shipping pallet.



2. Position the frame legs (supplied) on each rack leg so that the threaded inserts are centered over the open slots.



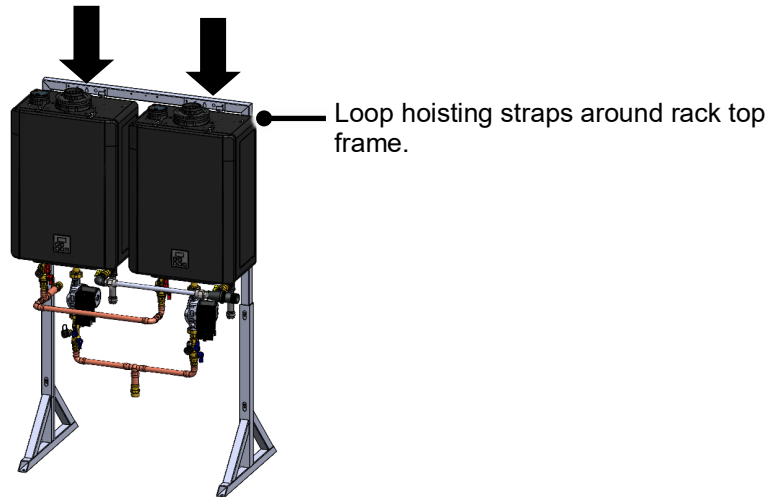
3. Use the supplied 4 bolts (5/16 in. - 18) to fasten the frame legs to the rack legs.



Step 5: Position Rack

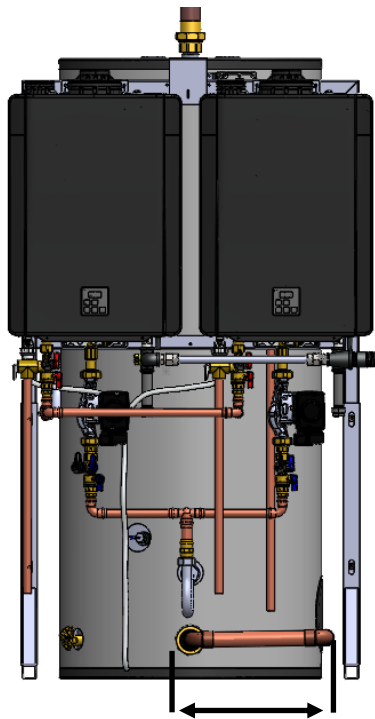
To position the rack:

1. Loop hoisting straps (field-supplied) around the rack top frame. Straps should support approximately 220 lb (100 kg).

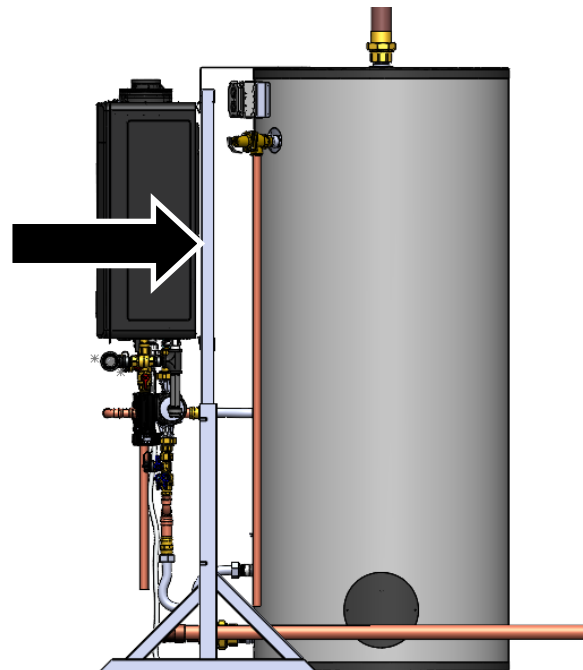


2. Position the rack in front of the tank, and then gently push the rack back as close to the tank as possible so that the flex lines can connect the two assemblies.

Place rack in front of tank



Push rack back close to tank

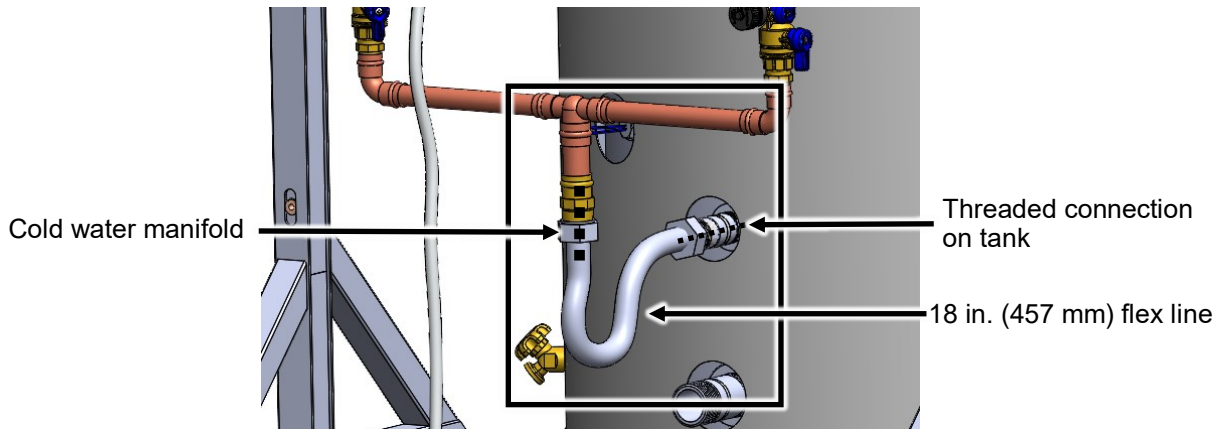


Step 6: Install Water Flex Lines

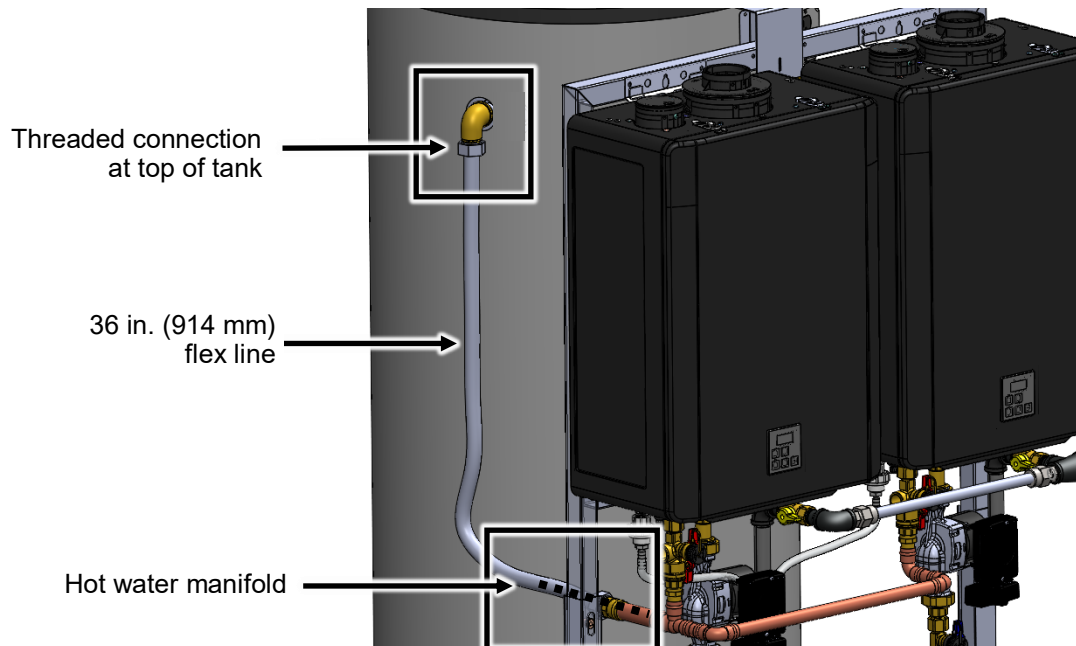
To install flex lines:

1. Connect the 18 in. (457 mm) flex line from the cold water manifold to the threaded connection on the tank. Tighten to 25 ft-lb torque.

Ensure the gasket is in the flex line.



2. Connect the 36 in. (914 mm) flex line from the hot water manifold to the threaded connection at the top of the tank. Tighten to 25 ft-lb torque.

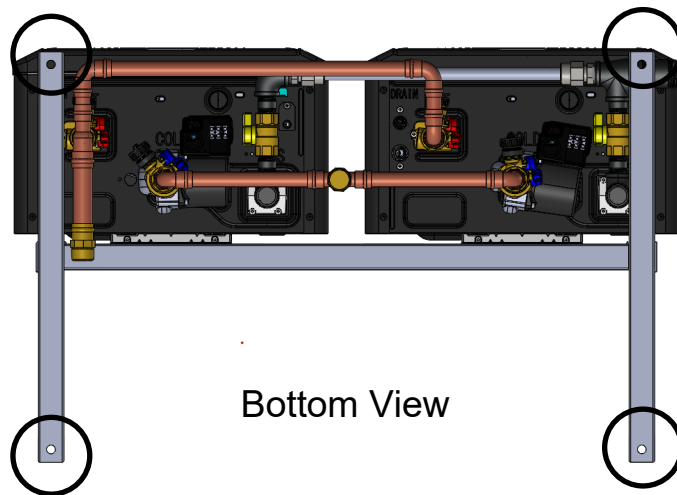


Step 7: Secure Rack

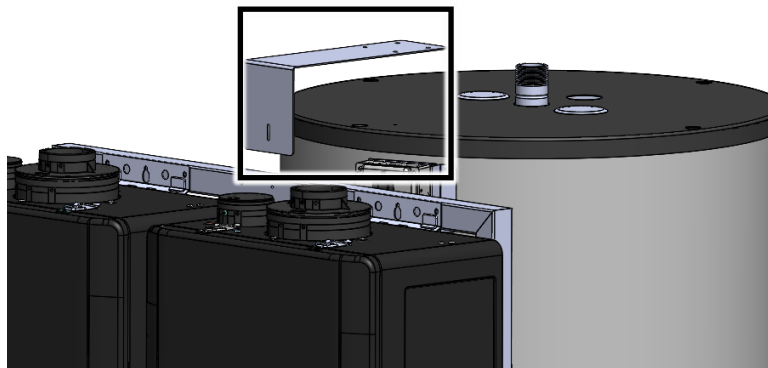
To secure the rack:

1. The rack system must be anchored and secured in accordance with national and/or local codes having jurisdiction.

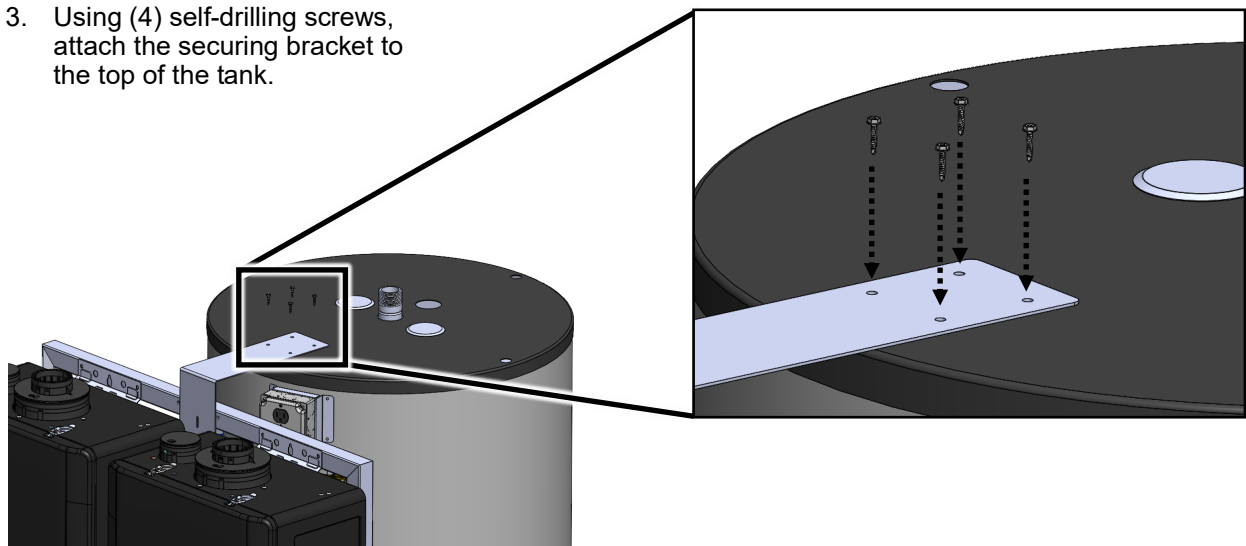
Base holes to secure the rack are 0.5 in. (13 mm) in diameter. Reference local codes regarding minimum concrete thickness and use appropriate expansion anchors that are capable of supporting the rack system weight of approximately 220 lb (100 kg). Reference and follow the anchor manufacturer's use and installation requirements.



2. Place the securing bracket on top of the tank and over the frame of the rack.



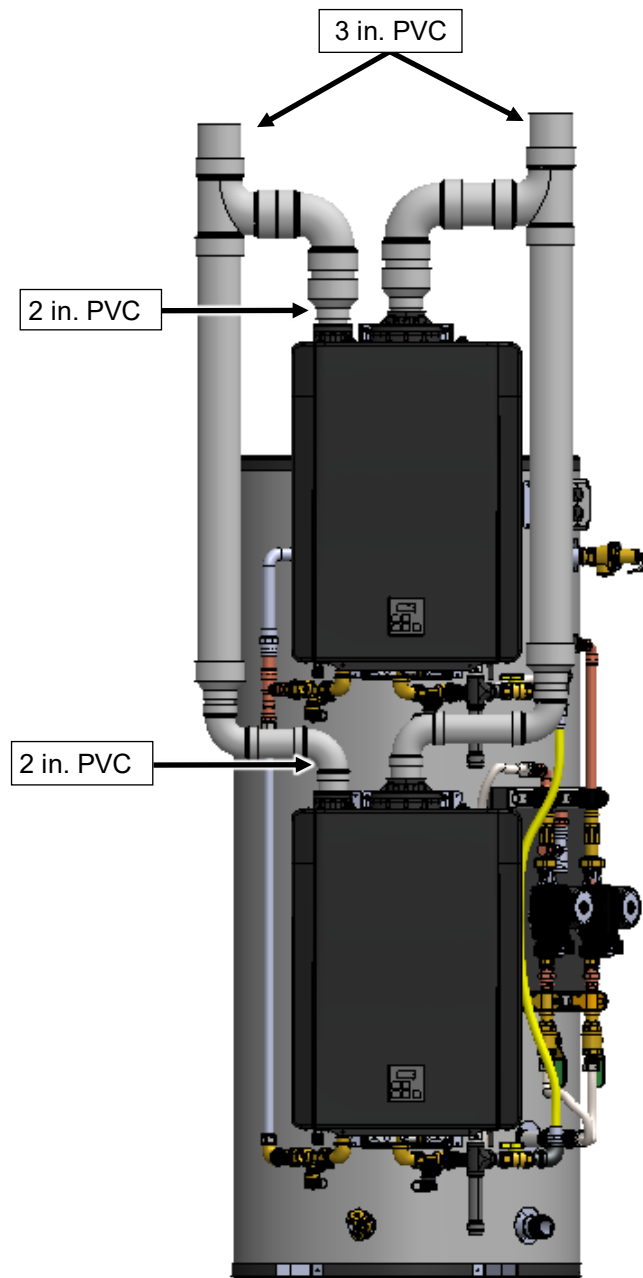
3. Using (4) self-drilling screws, attach the securing bracket to the top of the tank.



Step 8: Install Vent System

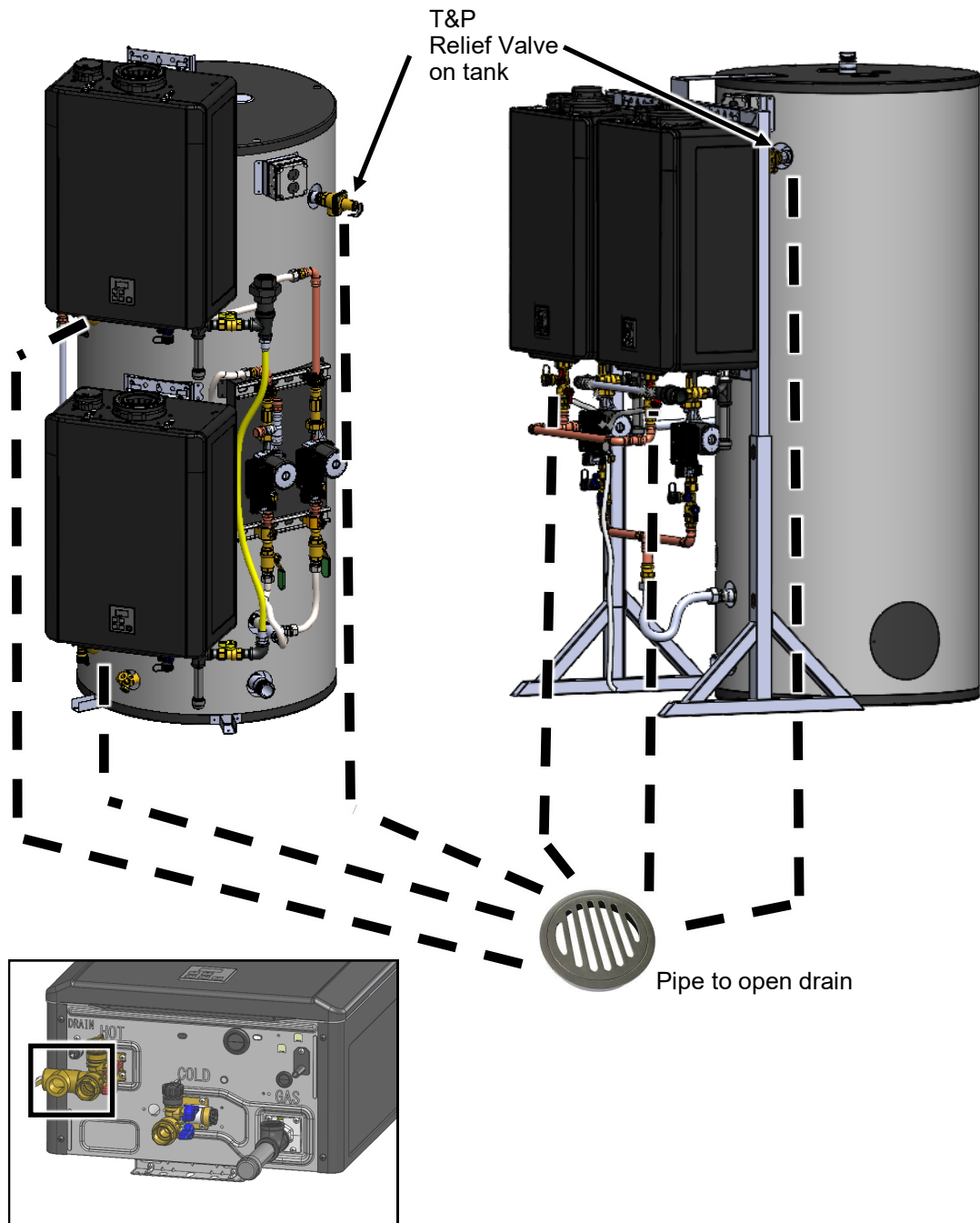
Refer to the Tankless Water Heater Installation and Operation Manual (supplied with each Tankless Water Heater in the Demand Duo™ 2 system) for complete venting information and instructions. Topics in this manual include: Venting Guidelines; Venting Installation Sequence and Instructions; Venting Options; Maximum Vent Lengths; and Termination Considerations.

For vertical model installations, please refer to the recommended venting configuration shown in the image below.



Step 9: Install Relief Valve Lines

A Pressure Relief Valve (PRV) is pre-installed on each tankless water heater in the Demand Duo™ 2 system. A combination Temperature and Pressure (T&P) Relief Valve is pre-installed on the tank. Install a drain pipe from each PRV and T&P Valve into a floor drain as shown in the diagram below. Refer to the guidelines on the next page.



PRV Requirements

- An approved PRV (pre-installed on each tankless water heater in the Demand Duo™ 2 system) is required by the *American National Standard (ANSI Z21.10.3)* for all water heating systems and shall be accessible for servicing.
- The PRV must comply with the standard for *Relief Valves and Automatic Gas Shutoff Devices for Hot Water Supply Systems ANSI Z21.22* and /or the standard *Temperature, Pressure, Temperature and Pressure Relief Valves and Vacuum Relief Valves, CAN1-4.4*.
- The PRV must be rated up to 150 psi and to at least the maximum BTU/hr of the appliance.
- The discharge from the PRV should be piped to the ground or into a drain system per local codes.
- The PRV must be manually operated once a year to check for correct operation.
- The PRV should be added to the hot water outlet line and near the hot water outlet according to the manufacturer's instructions. DO NOT place any other type valve or shut-off device between the PRV and the water heater.
- If a PRV discharges periodically, this may be due to thermal expansion in a closed water supply system. Contact the water supplier or local plumbing inspector on how to correct this situation. Do not plug the PRV.

WARNING

- Water discharged from the PRV could cause severe burns instantly or death from scalds.
- DO NOT plug the PRV and do not install any reducing fittings or other restrictions in the relief line. The relief line should allow for complete drainage of the valve and the line.
- DO NOT place any other type valve or shut-off device between the PRV and the water heater.
- DO NOT pipe the T&P Relief Valve, PRV, and/or condensate drain together into a common pipe.

T&P Relief Valve Requirements

- For safe operation, the relief valve(s) must not be removed from its designated point of installation or plugged.
- An approved T&P Relief Valve is required by the *American National Standard (ANSI Z21.10.3)* for all water heating systems and shall be accessible for servicing.
- The T&P Relief Valve must comply with the standard for *Relief Valves and Automatic Gas Shutoff Devices for Hot Water Supply Systems ANSI Z21.22* and /or the standard *Temperature, Pressure, Temperature and Pressure Relief Valves and Vacuum Relief Valves, CAN1-4.4*.
- The T&P Relief Valve must be rated up to 150 psi and to at least the maximum BTU/hr of the appliance.
- The discharge from the T&P Relief Valve should be piped to the ground or into a drain system to prevent exposure or possible burn hazards to humans or other plant or animal life. Follow local codes. Water discharged from the relief valve could cause severe burns instantly, scalds, or death.
- The T&P Relief Valve must be manually operated once a year to check for correct operation.

WARNING

- DO NOT plug the T&P Relief Valve and do not install any reducing fittings or other restrictions in the relief line. The relief line should allow for complete drainage of the T&P Relief Valve and the line.
- DO NOT place any other type valve or shut off device between the T&P Relief Valve and the water heater.
- DO NOT pipe the T&P Relief Valve, PRV, and/or condensate drain together into a common pipe.

Step 10: Fill System with Water

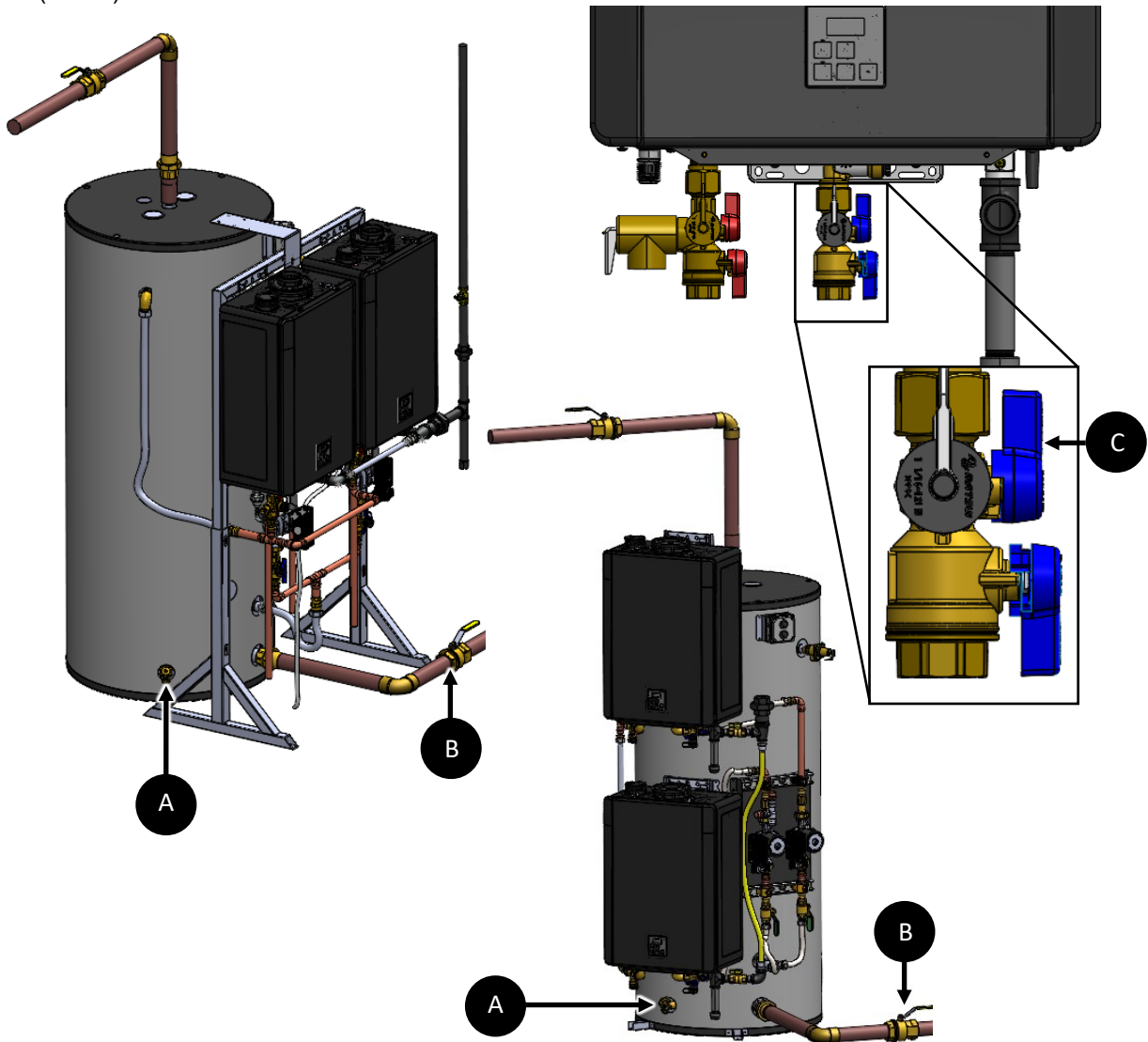
When filling the system with water, follow these guidelines:

- To prevent damage to the water heater, all air must be relieved from the system and a hot water fixture must be flowing water before the water heater is plugged in and turned on.

NOTICE DO NOT OPERATE THE WATER HEATER UNLESS IT IS COMPLETELY FULL OF WATER.

To fill the system with water:

1. Ensure the drain valve located at the bottom of the tank is closed (see **A** below).
2. Open the nearest hot water fixture.
3. Open the cold water supply valve to the water heater (see **B**).
4. Keep the hot water fixture open until the tank is filled and constant flow is obtained at the fixture.
5. Close the hot water fixture.
6. Check water heater connections and plumbing system for damage or leaks. Repair if needed.
7. Connect a hose (such as a standard garden hose) to the cold drain valve on one of the tankless water heaters and open the valve to allow water out; this ensures no air is trapped inside the pump (see **C**).



Step 11: Connect Condensate Drain Line

Condensate can form in the vent of high efficiency, direct vent tankless water heaters. Without proper drainage, condensate will damage the heat exchanger located inside the tankless water heater.

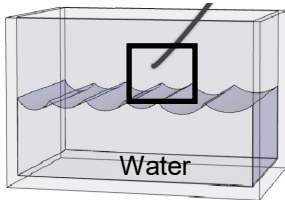
When connecting the condensate drain line, follow these guidelines:

- Use only corrosion-resistant materials for the condensate drain lines, such as PVC pipe or plastic hose.
- The condensate drain line should be as short as possible and have a downward pitch.
- The end of the condensate drain line should be open to the atmosphere. The end should not be under water or other substances.



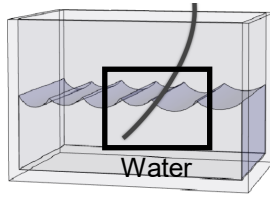
CORRECT

Drain line open to atmosphere



NOT CORRECT

Drain line submerged in water



- Ensure that the condensate drain, PRV, and T&P Relief Valve are piped separately to their own dedicated drain lines.
- If the condensate drain gets blocked, a diagnostic code will display on the controller. If this occurs, the condensate drain must be cleaned.
- The condensate trap will automatically prime (self-prime) during operation of the unit as condensate forms. Condensate draining from the unit indicates that the trap is full and that there is no blockage in the condensate drain. It is not necessary to add water to the condensate trap.
- A condensate neutralizer kit is available from Rinnai. The kit allows condensate to flow through neutralizing media that raises the pH of the condensate to a level that will help prevent corrosion of the drain and public sewer system.

- All condensate must drain and be disposed of according to local codes.

WARNING

- DO NOT connect the condensate drain line directly to the rain sewer.
- DO NOT connect the condensate drain line with an air conditioning evaporator coil drain.
- DO NOT pipe condensate drain, temperature-pressure relief valve, and/or pressure relief valve together into a common pipe.
- Water heaters have an integrated condensate trap. DO NOT install an external condensate trap.

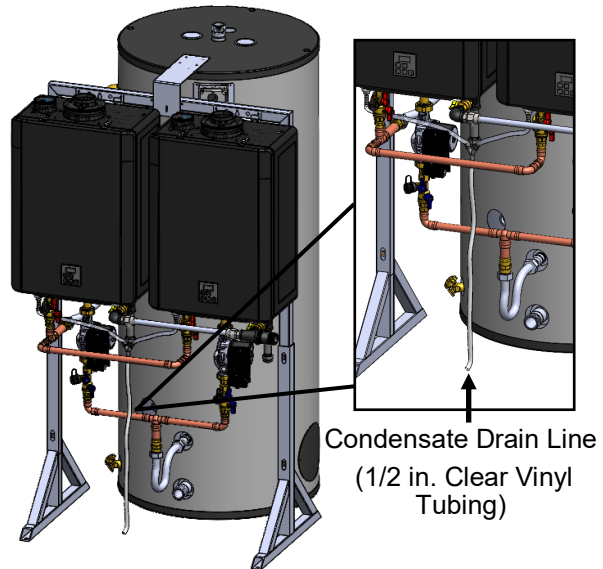


EXTERNAL TRAP NOT PERMITTED

To connect the condensate line:

Place the condensate drain line (1/2 in. clear vinyl tubing) towards the drain.

Keep the drain line open to the atmosphere and NOT under water or other substances.



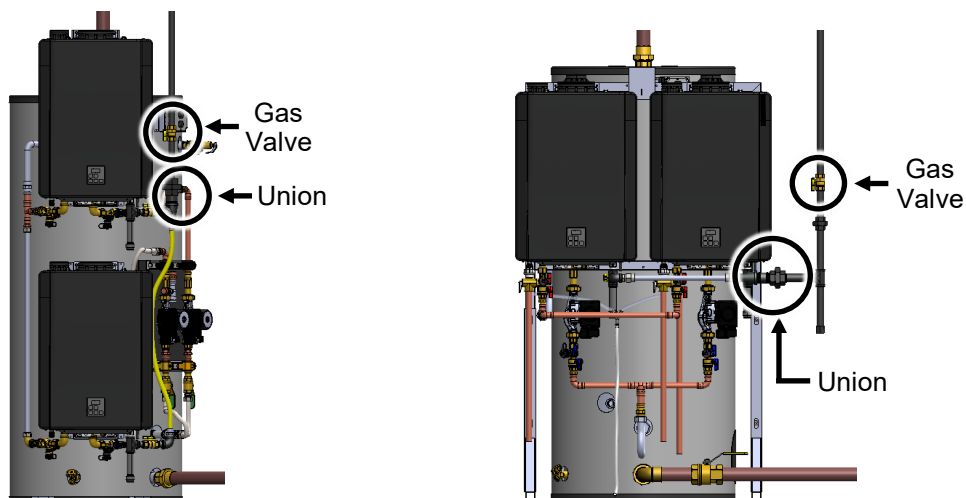
Step 12: Connect Gas Supply

WARNING

- A licensed professional must install the gas supply.
- Turn off 120V power supply.
- Turn off the gas.
- Gas is flammable. Do not smoke or provide other ignition sources while working with gas.
- Do not turn on the water heater or gas until all fumes are gone.

To connect the gas supply:

1. Install a manual gas control valve in the gas supply line to the water heater. A union can be used on the connection above the shut off valve for the future servicing or disconnection of the water heater (see image below).
2. Check the type of gas and gas supply pressure before connecting the water heater. If the water heater is not of the gas type that the building is supplied with, **DO NOT** connect the water heater. Contact the dealer for the proper water heater to match the gas type.
3. Check the gas supply pressure immediately upstream at a location provided by the gas company. Supplied gas pressure must be within the limits shown in the **Specifications** section of this manual with all gas appliances operating.
4. Before placing the appliance in operation, all joints, including the water heater, must be checked for gas tightness by means of soap, gas leak detector solution, or an equivalent nonflammable solution, as applicable. Since some leak test solutions, including soap and water, may cause corrosion or stress cracking, rinse the piping with water after testing, unless it has been determined that the leak test solution is non-corrosive.
5. Use approved connectors to connect the water heater to the gas line. Purge the gas line of any debris before connection to the water heater.
6. Any compound used on the threaded joint of the gas piping must be chemically compatible and mechanically suitable to be used in liquefied petroleum gas (LPG/Propane) applications.
7. The gas supply line shall be gas tight, sized, and installed to provide a supply of gas sufficient to meet the maximum demand of the water heater and all other gas-consuming appliances at the location without loss of pressure. If in doubt about the size of the gas line, refer to the Installation and Operation Manual for Commercial CX199iN Condensing Tankless Water Heaters.
8. Perform a leak and pressure test prior to operating the water heater. If a leak is detected, do not operate the water heater until the leak is repaired.



Step 13: Connect Power Supply

When connecting the power supply, follow these guidelines:

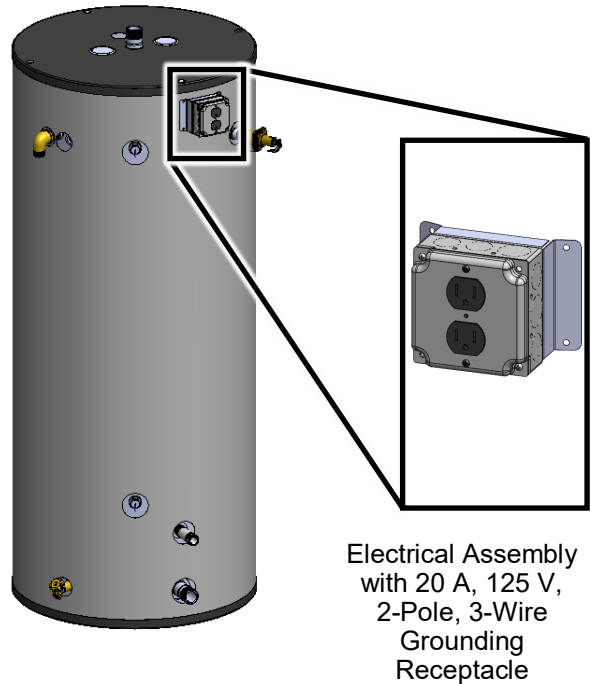
- Do not rely on the gas or water piping to ground the water heater. Ground locations are provided inside the water heater.
- Do not exceed the limits of the 15A circuit.
- The water heater requires 120 VAC, 60 Hz power from a properly grounded circuit.
- Do not connect power to the Demand Duo™ 2 system prior to completing installation and filling the system with water.
- The Tankless Water Heater wiring diagram is located on the inside of the water heater front cover. The controller wiring diagram is located on the inside front cover of the controller.
- When power is supplied, the water heater maintains pump operation. If the Demand Duo™ 2 system is not in use for an extended period of time, disconnect power from the system.

WARNING

- Do not use an extension cord or adapter plug with this appliance.
- The water heater must be electrically grounded in accordance with local codes and ordinances or, in the absence of local codes, in accordance with the National Electrical Code, ANSI/NFPA No.70.
- Indoor water heaters are equipped with a three-prong (grounding) plug for your protection against shock hazard and should be plugged directly into a properly grounded three-prong receptacle. Do not cut or remove the grounding terminal from this plug.

To connect the power supply:

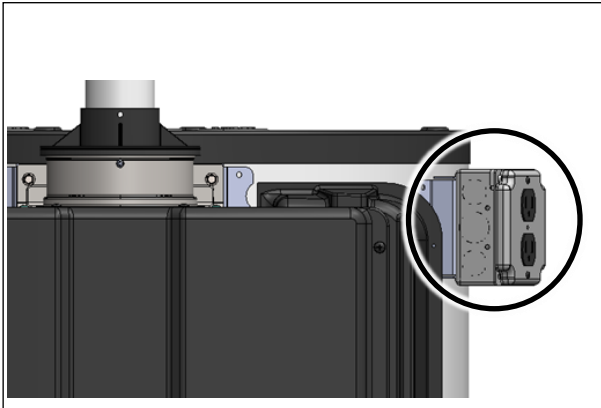
1. An electrical assembly is pre-installed on the storage tank for single point electrical connection (Refer to the **Specifications** sections in this manual for electrical requirements.
Connect power to the electrical assembly by following the steps on the following page.



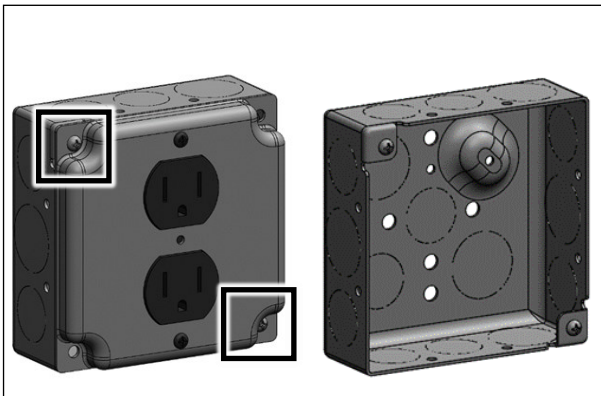
WARNING

Shut off building supply power prior to connecting to the electrical assembly. Failure to do so may result in property damage, bodily harm, or death.

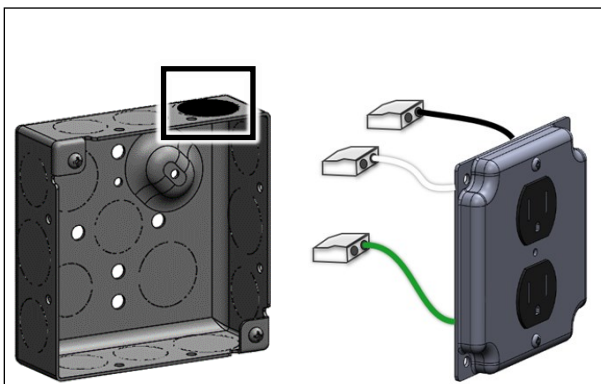
1. Locate the electric conduit on the side of the water heater.



2. Remove the two screws around the outlet cover. Remove the outlet cover and prewired outlet.

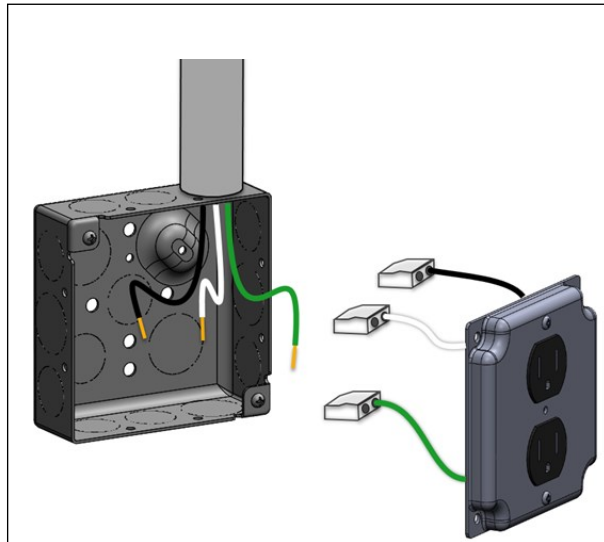


3. Remove the desired knockout along the perimeter of the electric box for conduit installation.



4. Install conduit into the knockout opening and pull the green, white and black wires into the box.

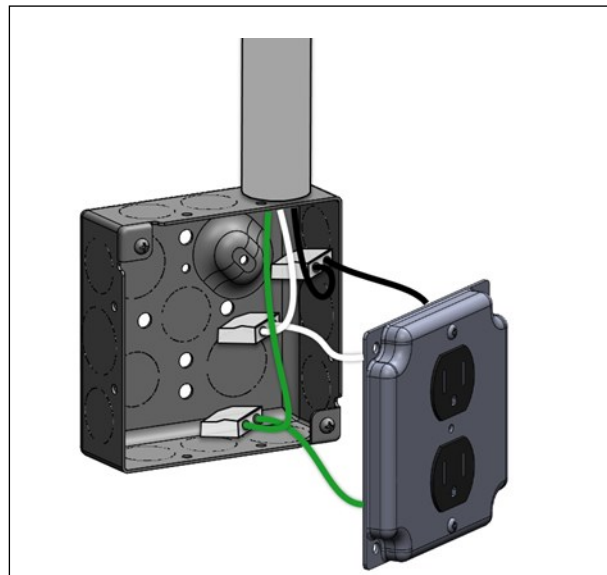
5. Strip the green, white, and black field supplied wires 1/2 in. Make sure the conductors are completely bare..



6. Match the wire colors, then grip the wire firmly and push the conductor into open port of the push in connector.

NOTE

Use only one conductor per port. Verify conductor is fully inserted to the back of the connector.



6. Post-Installation Checklist

Complete the following checklist when installation is complete. You should be able to answer YES to each question. If you answer NO, installation is not complete. Refer to the applicable section in this manual and the tankless water heater installation and manual for additional information.

INSTALLATION DETAILS	YES	NO
Have you verified the unit, vent and air intakes meet the clearance requirements?	<input type="checkbox"/>	<input type="checkbox"/>
Are parameter settings configured appropriately for the altitude?	<input type="checkbox"/>	<input type="checkbox"/>
Are the tankless water heater front panels installed?	<input type="checkbox"/>	<input type="checkbox"/>
Does the installation conform with local codes or, in the absence of local codes, with the <i>National Fuel Gas Code, ANSI Z223.1/NFPA 54</i> , or the <i>Natural Gas and Propane Installation Code, CSA B149.1</i> ?	<input type="checkbox"/>	<input type="checkbox"/>
VENTING	YES	NO
Are the correct venting products for the installed system being utilized?	<input type="checkbox"/>	<input type="checkbox"/>
Have you followed the venting manufacturer's installation instructions and the installation instructions in this document?	<input type="checkbox"/>	<input type="checkbox"/>
Have you verified the water heater is not subject to corrosive compounds in the air?	<input type="checkbox"/>	<input type="checkbox"/>
Have you verified the vent system does not exceed the maximum length for the number of elbows used?	<input type="checkbox"/>	<input type="checkbox"/>
Did you explain to the customer the importance of not blocking the vent termination or air intake?	<input type="checkbox"/>	<input type="checkbox"/>
SYSTEM PIPING	YES	NO
Have you verified the water supply does not contain chemicals or exceed total hardness that will damage the heat exchanger?	<input type="checkbox"/>	<input type="checkbox"/>
Did you ensure the hot and cold water lines are not crossed to the unit and are leak free?	<input type="checkbox"/>	<input type="checkbox"/>
Did you place a manual gas control valve in the gas line to the water heater?	<input type="checkbox"/>	<input type="checkbox"/>
Did you ensure that a pressure relief valve is installed with a rating at least the maximum BTU/hr of the appliance? Refer to the rating plate on the side of the tankless water heater for BTU input.	<input type="checkbox"/>	<input type="checkbox"/>
Did you clean the inlet water filter by closing the cold and hot water inlet isolation (shut-off) valves? (Put a bucket under the filter at the bottom of the water heater to catch any water that is contained inside the unit. Unscrew the water filter. Rinse the filter to remove any debris. Install the filter and open the isolation valves.)	<input type="checkbox"/>	<input type="checkbox"/>
Have you verified that no toxic chemicals were introduced to the potable water?	<input type="checkbox"/>	<input type="checkbox"/>
Did you drain water from the tankless engines if the water heater is not needed for immediate use?	<input type="checkbox"/>	<input type="checkbox"/>
GAS SUPPLY	YES	NO
Have you performed a gas line and connection leak test?	<input type="checkbox"/>	<input type="checkbox"/>
Is the inlet gas pressure within limits?	<input type="checkbox"/>	<input type="checkbox"/>
Did you verify the water heater is rated for the gas type supplied?	<input type="checkbox"/>	<input type="checkbox"/>
Have you verified the system is functioning correctly by connecting your manometer to the gas pressure test port on the water heater? Operate all gas appliances in the home or facility at high fire. The inlet gas pressure at the water heater must not drop below that listed on the rating plate.	<input type="checkbox"/>	<input type="checkbox"/>
POWER SUPPLY	YES	NO
Have you confirmed that the electricity is supplied from a 120 VAC, 60 Hz power source; is in a properly grounded circuit; and turned on?	<input type="checkbox"/>	<input type="checkbox"/>
Have you verified the temperature controller is functioning properly?	<input type="checkbox"/>	<input type="checkbox"/>
OTHER	YES	NO
Have you explained to the customer the operation of the water heater, safety guidelines, maintenance, and warranty?	<input type="checkbox"/>	<input type="checkbox"/>
Did you leave this manual and the Water Heater Installation and Operation Manual(s) taped to the water heater? Or you may give both manuals directly to the consumer.	<input type="checkbox"/>	<input type="checkbox"/>

7. Maintenance

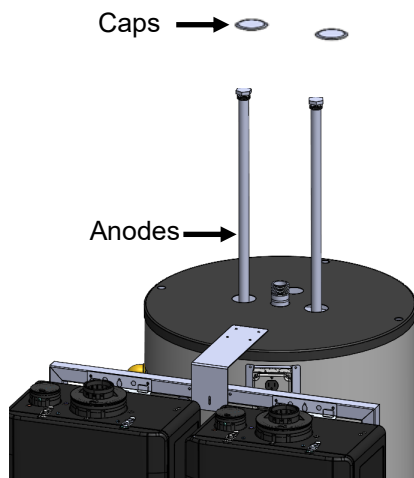
Storage Tank Anodes

The storage tank is equipped with two magnesium anodes designed to extend the life of the storage tank. Slowly consumed over time, the anode protects the glass-lined tank from corrosion. Rinnai strongly recommends to inspect the anodes every two (2) years. If more than half of the anodes have been consumed, they should be replaced. Instructions on how to change the anodes can be obtained from the manufacturer.

The longevity of the storage tank can be reduced when a water softener is introduced to fight hard water. Sodium salts added by a softener can make the water extremely conductive; therefore, the anodes are consumed at a faster rate. In such conditions, the anodes should be inspected on a yearly basis.

In certain conditions, the anodes may react with the water, producing discolored or smelly water. The most common complaint is hot water that smells like rotten eggs. This is the result of the reaction between the anode and hydrogen sulphide gas dissolved in the water, which is common in well systems. This issue can usually be eliminated or reduced by changing the magnesium anodes to aluminum anodes and by chlorinating the storage tank and plumbing system. If the problem continues, special filtration equipment may be required. Under no circumstances are the anodes to be removed from the water heater on a permanent basis.

Removal of the anodes will lead to premature failure of the water heater and will void the warranty.

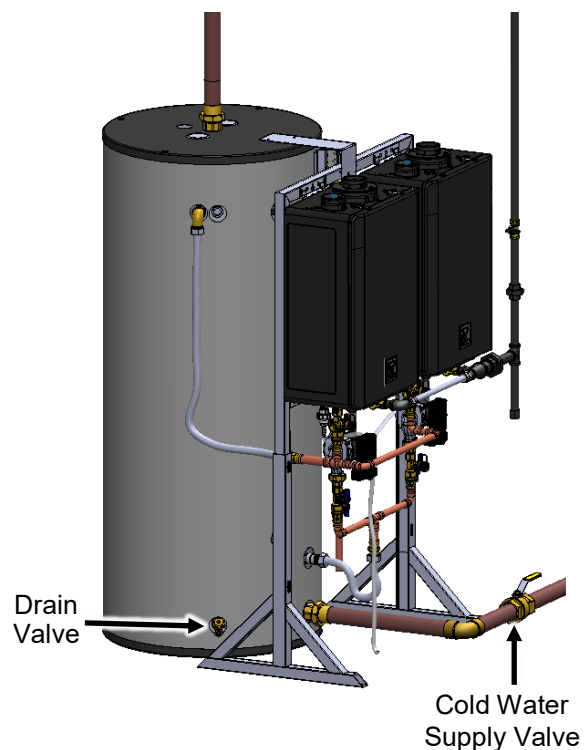


Storage Tank

Drain a pail of water through the drain valve at least once a year. This will remove excess sediment from the bottom of the tank. This sediment, if allowed to accumulate, will reduce the efficiency and the life of the tank.

To drain the storage tank:

1. Turn off power to the system by unplugging power to tankless water heaters and digital controller. (The system will not be fully shut down by pressing the **Power** button on the controller.)
2. Close the cold water supply manual shut-off valve.
3. Connect one end of a garden hose to the storage tank drain valve and put the other end next to a free-flowing drain.
4. Open the drain valve by turning the knob counter-clockwise. ↺
5. Open a hot water faucet to allow air into the system.

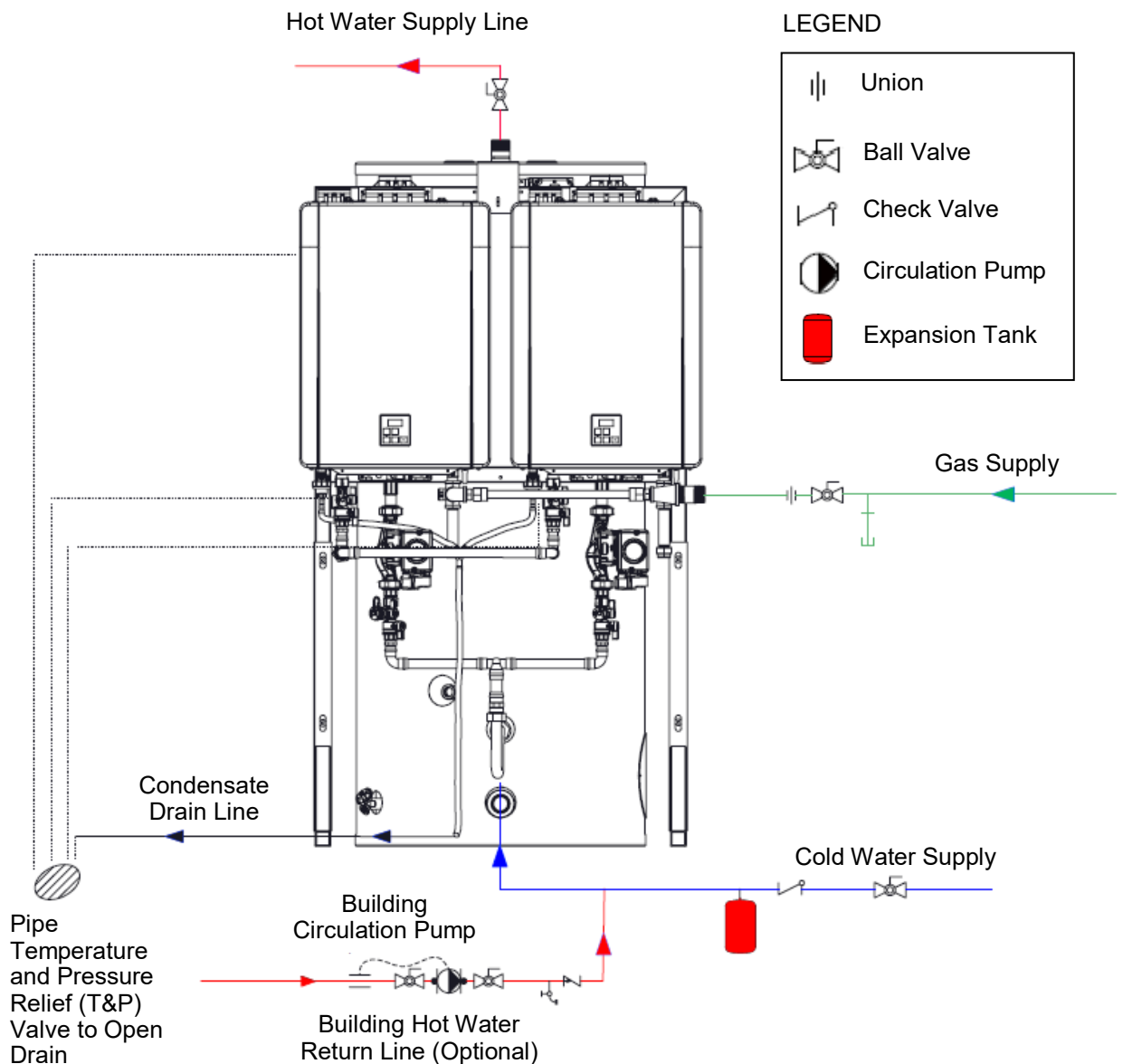


8. Appendices

Topics in this section

- Piping Diagram for Basic Installations
- Controller Diagnostics
- Replacement Parts

8.1 Piping Diagram for Basic Installations



When connecting multiple units, balancing valves, equivalent piping, pressure gauges, and temperature gauges are to be used as necessary to ensure proper flow between units.

8.2 Control Diagnostics

⚠ WARNING

- Do not use an extension cord or adapter plug with this appliance.
- The water heater must be electrically grounded in accordance with local codes and ordinances or, in the absence of local codes, in accordance with the National Electrical Code, ANSI/NFPA No. 70.
- The water heater is equipped with a three-prong (grounding) plug for your protection against shock hazard and should be plugged directly into a properly grounded three-prong receptacle. Do not cut or remove the grounding terminal from this plug.

8.2.1 Guidelines

When connecting the power supply, follow these guidelines:

- Do not rely on the gas or water piping to ground the water heater. Ground locations are provided inside the water heater.
- The water heater requires 120 VAC, 60 Hz power from a properly grounded circuit.
- Do not connect power to the commercial hybrid system prior to completing installation and the system has been filled with water.
- The Tankless Water Heater wiring diagram is located on the inside of the water heater front cover. The controller wiring diagram is located on the inside front cover of the controller.

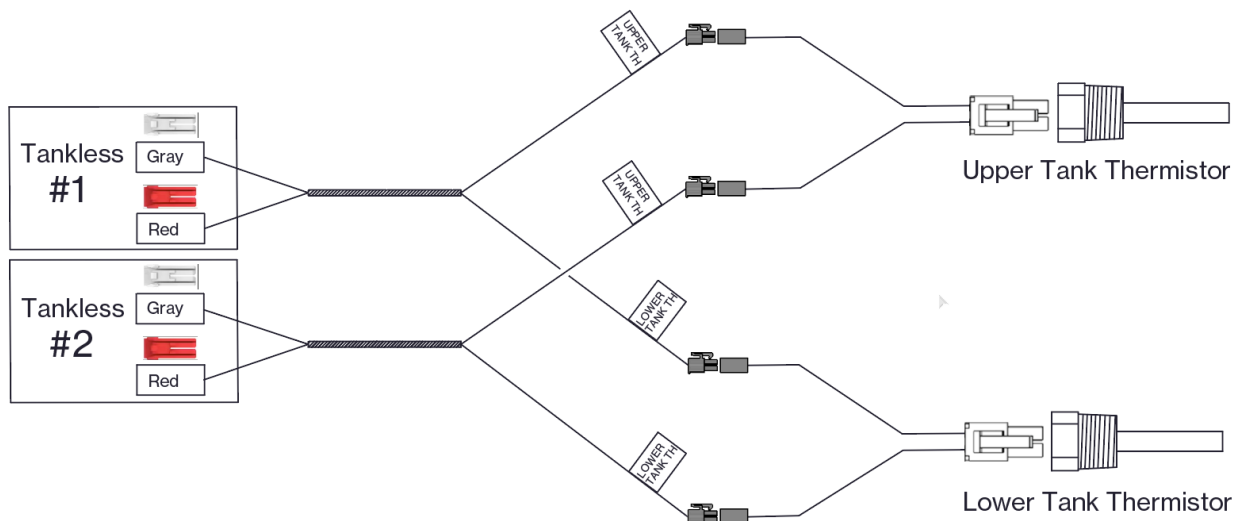
8.2.2 Connecting the Thermistor Wires for Horizontal Models

The ST119CH tank will come with the Upper and Lower Tank Thermistor and the Dual Thermistor Wiring Adapter. The Thermistor wiring harness will be plugged in to the PCB of each tankless water heater.

Each tankless water heater will have an upper and lower thermistor wire. Match the lower and upper thermistor to the proper thermistor in the tank, and plug in.

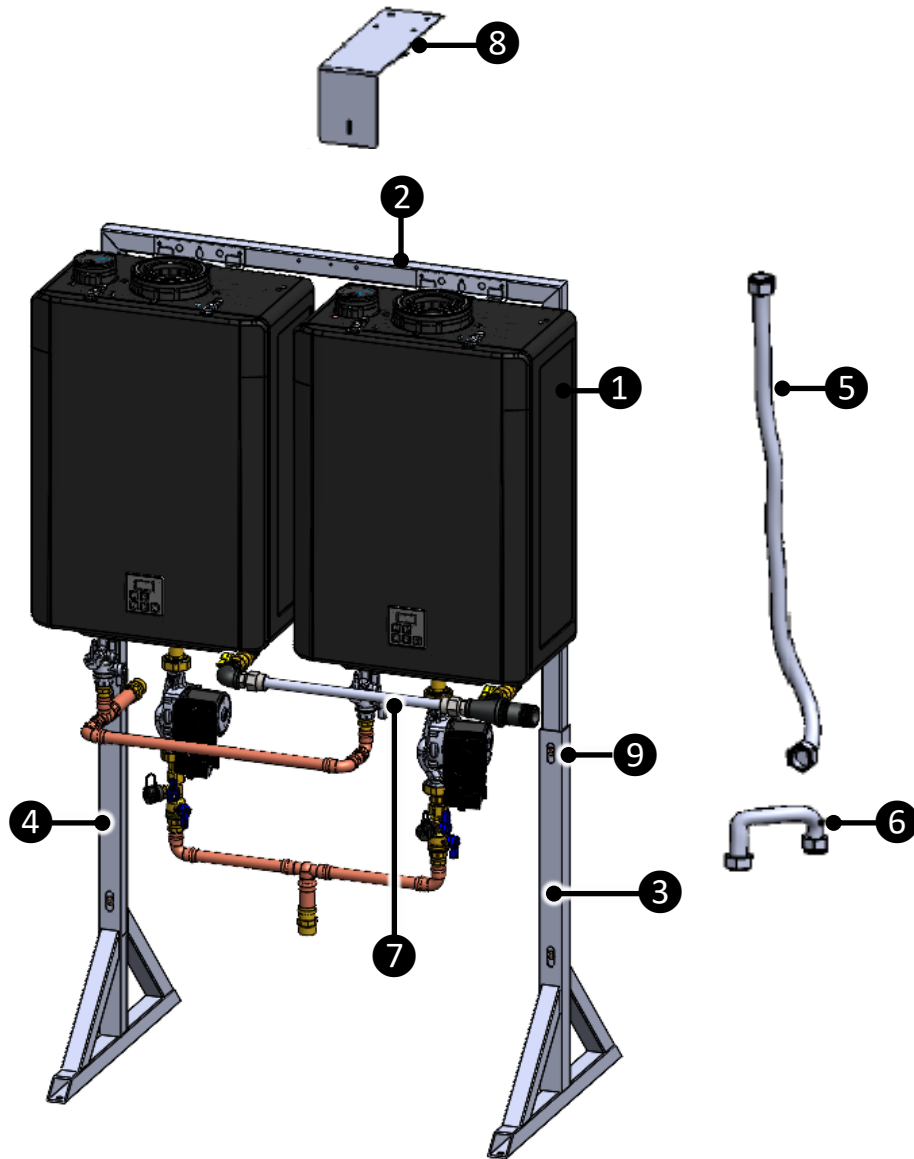
⚠ ATTENTION

When power is supplied, the water heaters will maintain pump operation. If system is not in use for an extended period of time, disconnect power from the system.

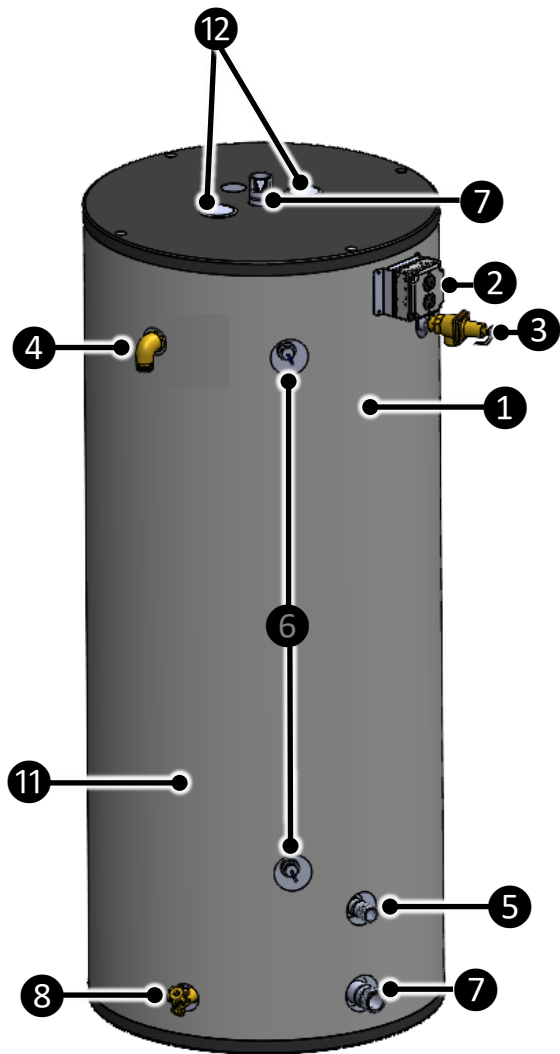


8.3 Replacement Parts

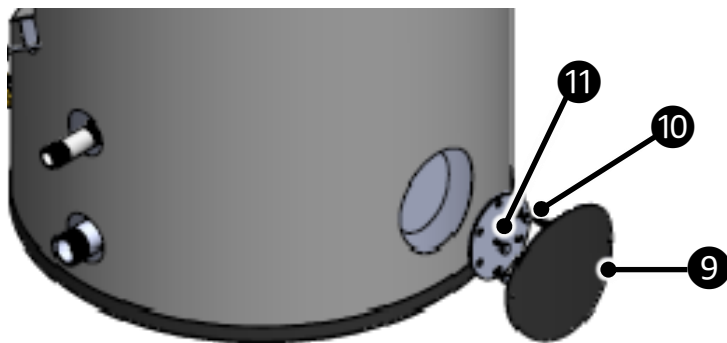
Replacement Parts for Horizontal Models



ITEM NO.	PART #	DESCRIPTION
1	CX199iN	Rinnai SENSEI CX Tankless Water Heater
2	109001379	TRW02 Frame
3	109000738	Left Frame Base
4	109000739	Right Frame Base
5	107000382	1 in. X 36 in. Water Flex Line
6	107000524	1 in. X 18 in. Water Flex Line
7	109000416	Gas Flex Line
8	109000830	Top Support Bracket
9	109000296	5/16 in.-18 Bolt

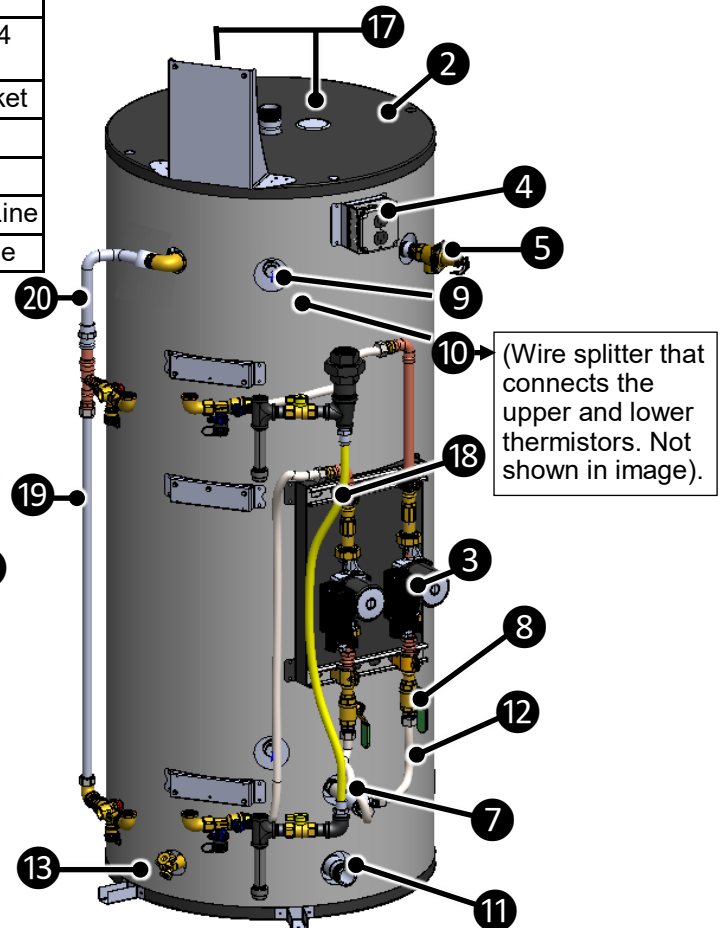
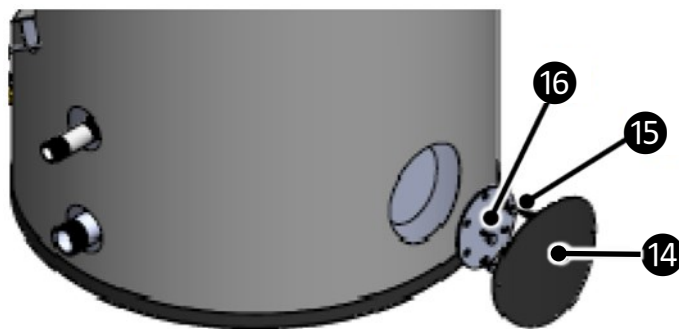
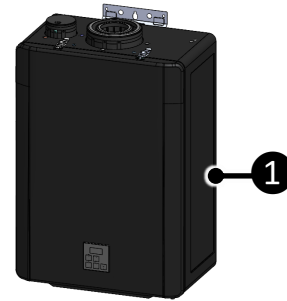
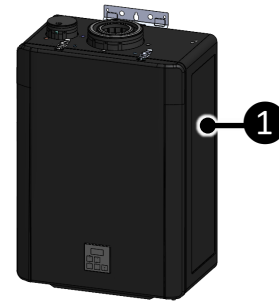


ITEM NO.	PART #	DESCRIPTION
1	107000637	119-Gallon Tank
2	105000337	Electrical Assembly
3	107000472	Temperature and Pressure (T&P) Relief Valve
4	107000438	1 in. Street Elbow NPT
5	107000440	1 in. X 3 in. Dielectric Nipple
6	105002048	Dual Thermistor
7	107000308	1-1/2 in. X 4 in. Dielectric Nipple
8	107000315	Brass Drain Valve 3/4 in. X 2-3/4 in.
9	107000312	Hand Hole Cleanout Cover
10	109000633	Cleanout Bolts 5/16 in.-18 X 3/4 in.
11	107000311	Tank Cleanout Flange Gasket
12	107000314	Anode Rod, Magnesium
13	105002049	Dual Thermistor Adapter Harness (this is a wire splitter that connects the upper and lower thermistors) (image not shown)



Replacement Parts for Vertical Models

Item No.	Part Number	Description
1	CX199iN/CX160iN	Rinnai SENSEI Tankless Water Heater
2	107000637 107000672	119 Gallon Tank 119 Gallon ASME Tank (for ASME models only)
3	107000458	Grundfos UPML 25-104 Pump
4	105000337	Electrical Assembly
5	107000472	Temperature and Pressure (T&P) Relief Valve
6	107000438	1 in. Street Elbow
7	107000440	1 in. X 3 in. Dielectric Nipple
8	107000671	Isolation Valves
9	105002048	Dual Thermistor
10	105002049	Dual Thermistor Adapter Harness
11	107000308	1-1/2 in. X 4 in. Dielectric Nipple
12	107000424	3/4 X 15 Water Flex Line
13	107000315	Brass Drain Valve 3/4 in. X 2-3/4 in.
14	107000312	Hand Hole Cleanout Cover
15	109000633	Cleanout Bolts 5/16 in. X 3/4 in.
16	107000311	Tank Cleanout Flange Gasket
17	107000314	Anode Rod, Magnesium
18	106000163	Gas Flex Line
19	107000446	3/4 in. X 36 in. Water Flex Line
20	107000383	1 in. X 12 in. Water Flex Line



9. Warranty

Limited Warranty for Demand Duo H-Series

What Is Covered?

The Rinnai Standard Limited Warranty covers any defects in materials or workmanship when the product is installed and operated according to Rinnai written installation instructions, subject to the terms within this Limited Warranty document. This Limited Warranty applies only to products that are installed correctly in the United States and Canada. Improper installation may void this Limited Warranty. In order for this warranty to apply, it is required that you use a trained and qualified professional who has attended a Rinnai installation training class before installing this water heater. This Limited Warranty coverage as set out in the table below extends to the original purchaser and subsequent owners, but only while the product remains at the site of the original installation. This Limited Warranty only extends to the first / original installation of the product and terminates if the product is moved or reinstalled at a new location.

Item	Warranty Coverage
Heat Exchanger*	8 Years
Storage Tank	6 Years
All Other Parts and Components	5 Years
Reasonable Labor	1 Year

*The heat exchanger warranty will be 8 years or 12,000 operation hours, whichever occurs first.

Notes:

- From date of purchase, period of coverage is reduced to 8 years or 12,000 operation hours, whichever occurs first, if the Rinnai water heater temperature settings exceeds 160°F (71°C).
- The integrated controller has a 1 year warranty on parts.

What Will Rinnai Do?

Rinnai will repair or replace the covered product or any part or component that is defective in materials or workmanship as set forth in the above table. Rinnai will pay reasonable labor charges associated with the repair or replacement of any such part or component during the term of the labor warranty period. All repair parts must be genuine Rinnai parts. All repairs or replacements must be performed by a licensed professional who is properly trained to do the type of repair.

Replacement of the product may be authorized by Rinnai only at its sole discretion. Rinnai does not authorize any person or company to assume for it any obligation or liability in connection with the replacement of the product. If Rinnai determines that repair of a product is not possible, Rinnai may replace the product with a comparable product at Rinnai's sole discretion. The warranty claim for product parts and labor may be denied if a component or product returned to Rinnai is found to be free of defects in material or workmanship; damaged by improper installation, use or operation; or damaged during return shipping.

How Do I Get Service?

You must contact a trained and qualified professional for the repair of a product under this Limited Warranty. For the name of a trained and qualified professional, please contact your place of purchase, visit the Rinnai website (www.rinnai.us), call Rinnai at 1-800-621-9419 or write to Rinnai at 103 International Drive, Peachtree City, Georgia 30269.

Proof of purchase is required to obtain warranty service. You may show proof of purchase with a dated sales receipt, or *by registering within 30 days of purchasing the product. To register your Rinnai Tankless Water Heater, please visit www.rinnai.us.* For those without internet access, please call 1-866-RINNAI1 (746-6241). Receipt of Registration by Rinnai will constitute proof-of-purchase for this product. Registration of product installed in new home construction may be verified with a copy of the closing papers provided by the initial home buyer. However, Registration is not necessary in order to validate this Limited Warranty.

What Is Not Covered?

This Limited Warranty does not cover any failures or operating difficulties due to the following:

- Accident, abuse, or misuse
- Alteration of the product or any component part
- Misapplication of this product
- Improper installation (such as but not limited to)
 - Product being installed in a corrosive environment
 - Condensate damage
 - Improper venting
 - Incorrect gas type
 - Incorrect gas or water pressure
 - Absence of a drain pan under the appliance
- Improper maintenance (such as but not limited to scale build-up, freeze damage, or vent blockage)
- Incorrect sizing
- Any other cause not due to defects in materials or workmanship
- Problems or damage due to fires, flooding, electrical surges, freezing or any acts of God
- Any damage caused by poor water quality
- Operating the water heater with anything other than potable water at all times
- Force majeure

There is no warranty coverage on product installed in a closed loop application, commonly associated with space heating only applications.

This Limited Warranty does not apply to any product whose serial number or manufacture date has been defaced.

This Limited Warranty does not cover any product used in an application that uses chemically treated water such as a pool or spa heater.

Limitation on Warranties

No one is authorized to make any other warranties on behalf of Rinnai America Corporation. Except as expressly provided herein, there are no other warranties, expressed or implied, including, but not limited to warranties of merchantability or fitness for a particular purpose, which extend beyond the description of the warranty herein.

Any implied warranties of merchantability and fitness arising under state law are limited in duration to the period of coverage provided by this Limited Warranty, unless the period provided by state law is less. Some states do not allow limitations on how long an implied Limited Warranty lasts, so the above limitation may not apply to you.

Rinnai shall not be liable for indirect, incidental, special, consequential or other similar damages that may arise, including lost profits, damage to person or property, loss of use, inconvenience, or liability arising from improper installation, service or use. Some states do not allow the exclusion or limitation of incidental or consequential damages, so the above limitation may not apply to you.

This Limited Warranty gives you specific legal rights, and you may also have other rights which vary from state to state.

www.rinnai.us/warranty

100000872(01)
5/2024